

# 29-1014LF Straight Supply Valve • Spec Sheet



## FEATURES & BENEFITS

- Chrome Plated Lead Free Brass\*
- ISO-9002
- Straight Stop
- Multi Turn
- 5/8" OD Comp X 3/8" OD Compression

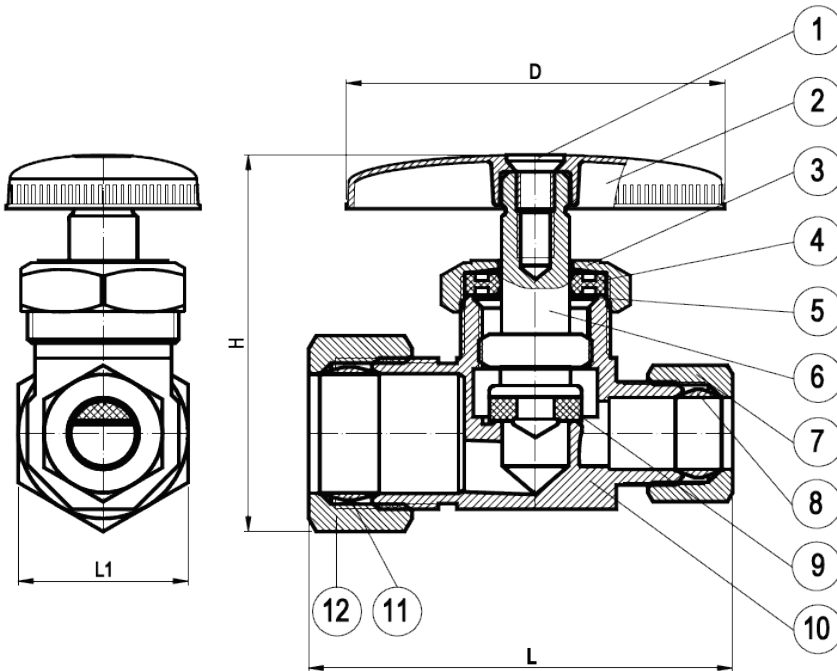
## DIMENSIONS

H	L	L1	D
2.01	2.26	0.91	2.02

## MATERIAL SPECIFICATIONS

No.	Part	Material
1	Bolt	JIS 3260 C2600W
2	Handle	Zinc Alloy Z30A
3	Bonnet	Brass B124 C37700
4	Packing	EPDM SN-719F
5	Washer	Stainless Steel 304
6	Stem	Plastic
7	Packing Nut	Brass B124 C37700
8	Sleeve	Brass C89550
9	Seat Packing	EPDM SN-719F
10	Body	Brass C89550
11	Sleeve	Brass C89550
12	Packing Nut	Brass B124 C37700

\* These product complies with 0.25% weighted average lead content on wetted surfaces in accordance with Safe Water Drinking Act (SDWA) / Federal Public Law No. 111-380.



Global sourcing. National compliance. Local service.

**CALIFORNIA** 5593 Fresca Dr., La Palma CA 90623 • Toll Free: 866-532-8306 • Fax: 866-532-8307  
**TEXAS** 1150 Silber Rd., Houston TX 77055 • Toll Free: 800-935-5456 • Fax: 713-680-2999  
**NEW YORK** PO Box 27, Rt. 22, Brewster NY 10509 • Toll Free: 800-431-2082 • Fax: 845-278-9056  
 WEB: [www.matco-norca.com](http://www.matco-norca.com) EMAIL: [mail@matco-norca.com](mailto:mail@matco-norca.com)

# 29-1014CPVCLF Supply Valve • Spec Sheet



## FEATURES & BENEFITS

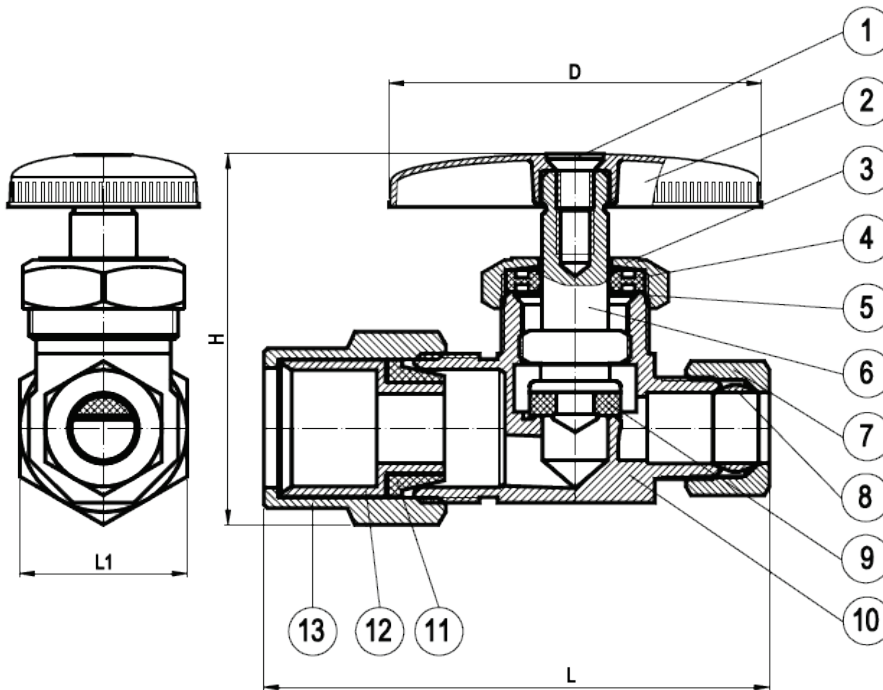
- Chrome Plated Lead Free Brass\*  
ISO-9002
- Straight Stop
- Multi Turn
- 5/8" OD CPVC X 3/8" OD

## DIMENSIONS

H	L	L1	D
2.01	2.74	0.91	2.02

## MATERIAL SPECIFICATIONS

No.	Part	Material
1	Bolt	JIS 3260 C2600W
2	Handle	Zinc Alloy Z30A
3	Bonnet	Brass B124 C37700
4	Packing	EPDM SN-719F
5	Washer	Stainless Steel 304
6	Stem	Brass C89550
7	Packing Nut	Brass B124 C37700
8	Sleeve	Brass C89550
9	Seat Packing	EPDM SN-719F
10	Body	Brass C89550
11	Sleeve	Brass C89550
12	Packing CPVC	Plastic POM-M90
13	Packing Nut	Brass B124 C37700



\* These product complies with 0.25% weighted average lead content on wetted surfaces in accordance with Safe Water Drinking Act (SDWA) / Federal Public Law No. 111-380.



Global sourcing. National compliance. Local service.

**CALIFORNIA** 5593 Fresca Dr., La Palma CA 90623 • Toll Free: 866-532-8306 • Fax: 866-532-8307  
**TEXAS** 1150 Silber Rd., Houston TX 77055 • Toll Free: 800-935-5456 • Fax: 713-680-2999  
**NEW YORK** PO Box 27, Rt. 22, Brewster NY 10509 • Toll Free: 800-431-2082 • Fax: 845-278-9056  
 WEB: [www.matco-norca.com](http://www.matco-norca.com) EMAIL: [mail@matco-norca.com](mailto:mail@matco-norca.com)