

# 29-1019LF & 29-1019BLF Supply Valve • Spec Sheet



\*Product will have LF imprinted on the body for Lead Free

## FEATURES & BENEFITS

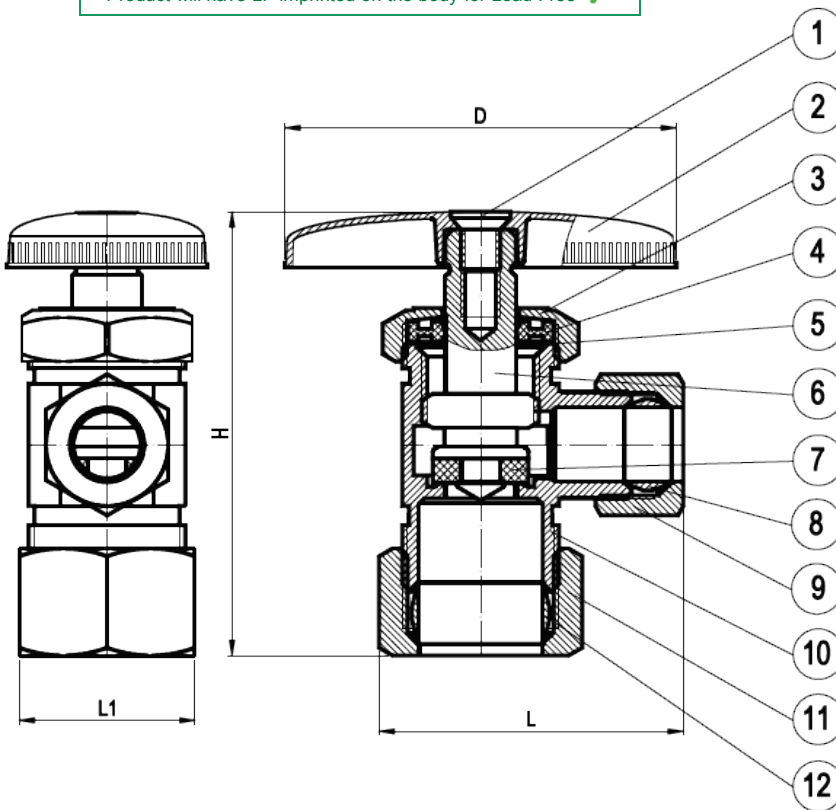
- Chrome Plated Lead Free Brass\*
- ISO-9002
- Angle
- Multi Turn
- 5/8" OD Compression X 3/8" OD Compression

### 29-1019BLF

- Same As Above - Unplated Brass

## DIMENSIONS

H	L	L1	D
2.29	1.57	0.91	2.02



## MATERIAL SPECIFICATIONS

No.	Part	Material
1	Bolt	JIS 3260 C2600W
2	Handle	Zinc Alloy Z30A
3	Bonnet	Brass B124 C37700
4	Packing	EPDM SN-719F
5	Washer	Stainless Steel 304
6	Stem	Plastic
7	Seat Packing	EPDM SN-719F
8	Sleeve	Brass C89550
9	Packing Nut	Brass B124 C37700
10	Body	Brass C89550
11	Packing Nut	Brass B124 C37700
12	Sleeve	Brass C89550

\* These product complies with 0.25% weighted average lead content on wetted surfaces in accordance with Safe Water Drinking Act (SDWA) / Federal Public Law No. 111-380.



# 29-1019CPVCLF Angle Supply Valve • Spec Sheet

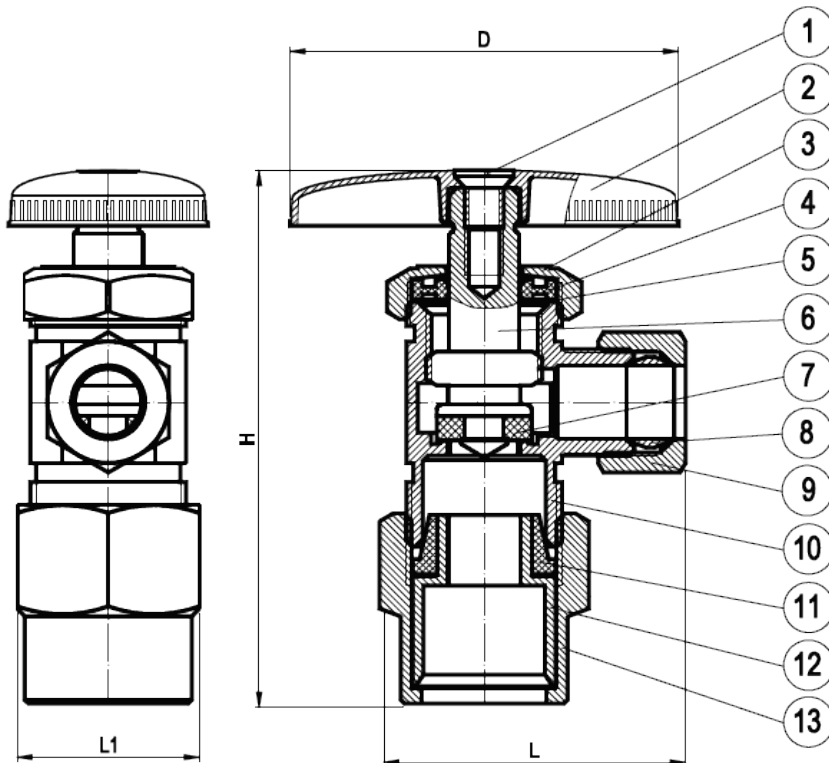


## FEATURES & BENEFITS

- Chrome Plated Lead Free Brass\*
- ISO-9002
- Angle Stop
- Multi Turn
- 5/8" OD CPVC X 3/8" OD

## DIMENSIONS

H	L	L1	D
2.78	1.56	0.95	2.02



## MATERIAL SPECIFICATIONS

No.	Part	Material
1	Bolt	JIS 3260 C2600W
2	Handle	Zinc Alloy Z30A
3	Bonnet	Brass B124 C37700
4	Packing	EPDM SN-719F
5	Washer	Stainless Steel 304
6	Stem	Brass C89550
7	Seat Packing	EPDM SN-719F
8	Sleeve	Brass C89550
9	Packing Nut	Brass B124 C37700
10	Body	Brass C89550
11	Packing	EPDM SN-719F
12	CPVC	Plastic POM-M90
13	Packing Nut	Brass B124 C37700

\* These product complies with 0.25% weighted average lead content on wetted surfaces in accordance with Safe Water Drinking Act (SDWA) / Federal Public Law No. 111-380.

