

433LLF Lead Free Water Meter Elbow • Spec Sheet

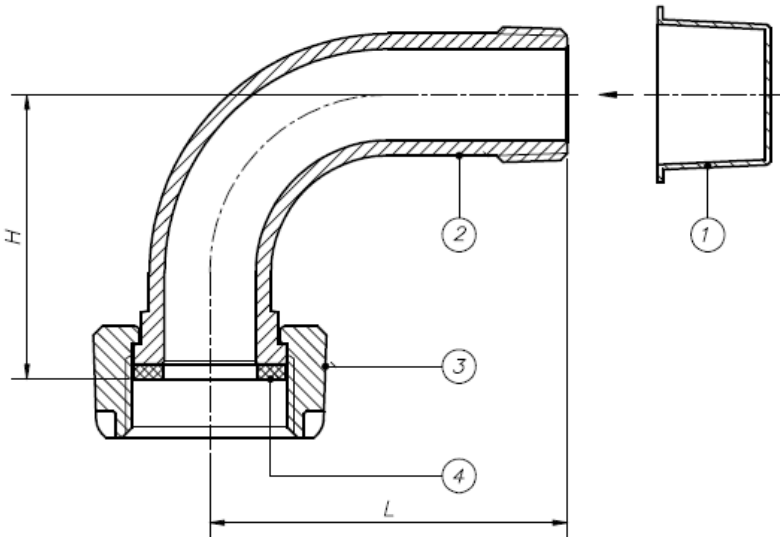


FEATURES & BENEFITS

- Lead Free Brass*
- Sizes - 3/4" MIP x 1" FIP

DIMENSIONS

Part #	Size	H	L
433L9004LF	3/4" MIP x 1" FIP	2.21	2.78



MATERIAL SPECIFICATIONS

No.	Part	Material
1	Cover	Plastic
2	Nut	Brass C85700
3	Nipple	Brass C46400
4	Packing	NBR SN-919F

*This product complies with 0.25% weighted average lead content on wetted surfaces in accordance with the Safe Drinking Water Act (SDWA) / Federal Public Law No. 111-380.



Global sourcing. National compliance. Local service.

CALIFORNIA 5593 Fresca Dr., La Palma CA 90623 • Toll Free: 866-532-8306 • Fax: 866-532-8307
TEXAS 1150 Silber Rd., Houston TX 77055 • Toll Free: 800-935-5456 • Fax: 713-680-2999
NEW YORK PO Box 27, Rt. 22, Brewster NY 10509 • Toll Free: 800-431-2082 • Fax: 845-278-9056
 WEB: www.matco-norca.com EMAIL: mail@matco-norca.com