

CPVCDELFB Drop Ear Elbow • Spec Sheet



*Product will have LF imprinted on the body for Lead Free

FEATURES & BENEFITS

- Lead Free Brass*
- CPVC x Brass
- UPC & NSF Approved
- For use in new and retrofit installations in residential and light commercial plumbing systems
- Durable overmolded one-piece fitting eliminates union tail-piece connection and possible leak path
- Molded CPVC end piece with slip connection
- Pressure rated to 100 psi at 180° F / 150 psi at 100° F
- Manufactured to the material and dimensional requirements of ASTM D-2846
- Female threads to ASME B 1.20.1

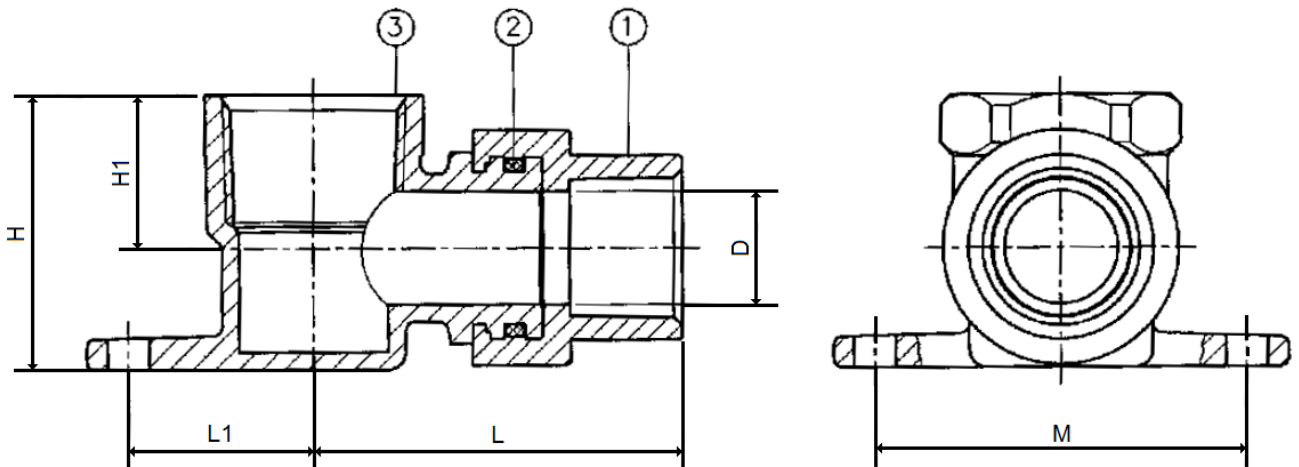
MATERIAL SPECIFICATIONS

No.	Part	Material
1	Nipple	CPVC (ASTM D2846)
2	O-Ring	Rubber (NBR) SN-719F
3	Nipple	Forged Brass C26000

DIMENSIONS

Part #	Size	D	H	H1	L	L1	M
CPVCDE0303LF	1/2"	0.51	0.53	0.69	1.66	0.84	1.67

*This product complies with 0.25% weighted average lead content on wetted surfaces in accordance with the Safe Drinking Water Act (SDWA) / Federal Public Law No. 111-380.



Global sourcing. National compliance. Local service.

CALIFORNIA 5595 Fresca Dr., La Palma CA 90623
TEXAS 1150 Silber Rd., Houston TX 77055
ILLINOIS 278 Windy Point Dr., Glendale Heights, IL 60139
GEORGIA 113 Industrial Blvd., Americus, Georgia 31709
NEW YORK PO Box 27, Rt.22, Brewster NY 10509
 WEB: www.matco-norca.com

• Phone: 866-532-8306 • Fax: 866-532-8307
 • Phone: 800-935-5456 • Fax: 713-680-2999
 • Phone: 844-412-5068 • Fax: 800-640-2252
 • Phone: 800-433-7526 • Fax: 800-533-5134
 • Phone: 800-431-2082 • Fax: 845-278-9056
 EMAIL: mail@matco-norca.com