

CPVC x SS Female Adapter • Spec Sheet



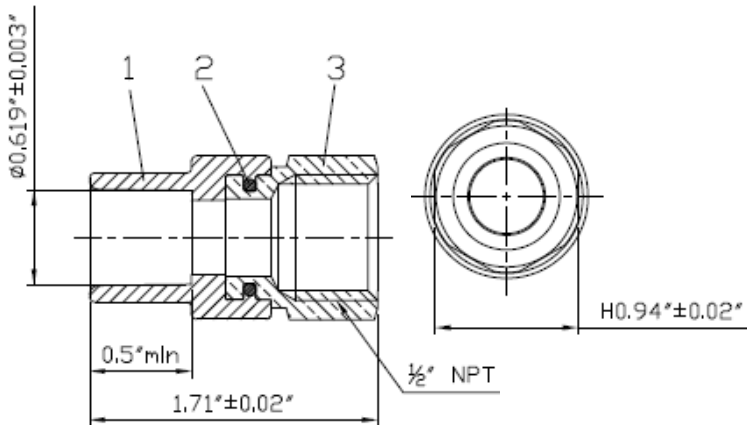
FEATURES & BENEFITS

- CPVC X Stainless Steel Adapter Fittings
- For use in new and retrofit installations in residential and light commercial plumbing systems.
- Durable over molded one-piece fitting eliminates union tail-piece connection and possible leak path,
- Molded CPVC end piece with slip connection.
- Pressure rated to 100 psi at 180° F / 150 psi at 100° F
- Manufactured to the material and dimensional requirements of ASTM D-2846
- Male and Female threads to ASME B 1.20.1
- Standards: CPVC 4120, ASTM D2846, NSF / ANSI 14, cUPC, CSA B137.6
- Stocked in Sizes 1/2" - 2"

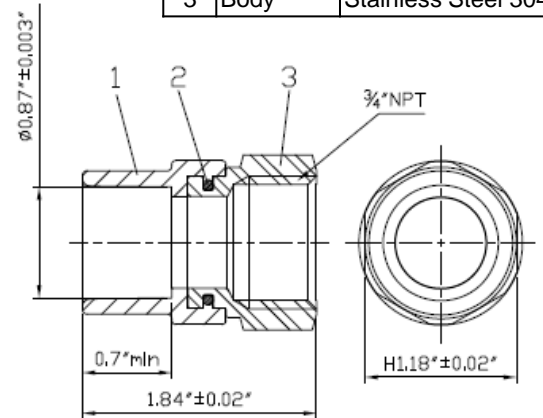
MATERIAL SPECIFICATIONS

No.	Part	Material
1	End Piece	CPVC / ASTM D1784
2	O-Ring	EPDM
3	Body	Stainless Steel 304

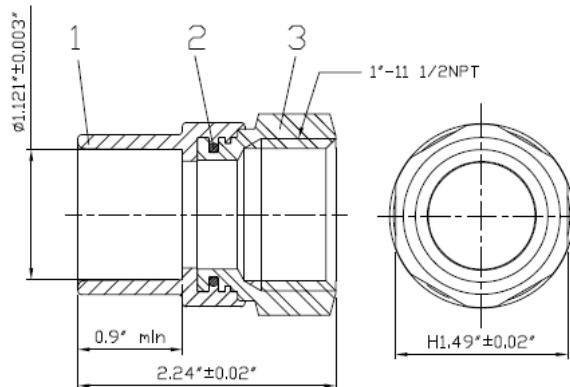
CPVCFA03SS



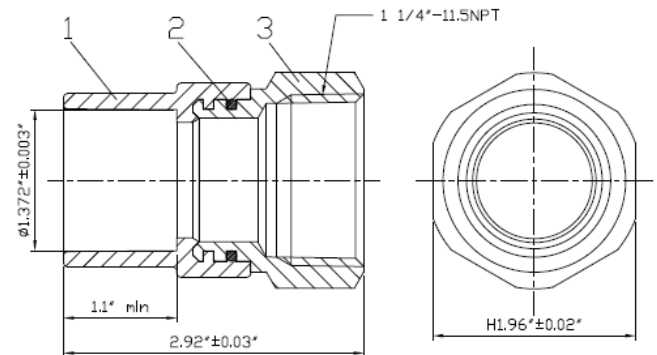
CPVCFA04SS



CPVCFA05SS



CPVCFA06SS



CPVC x SS Female Adapter • Spec Sheet



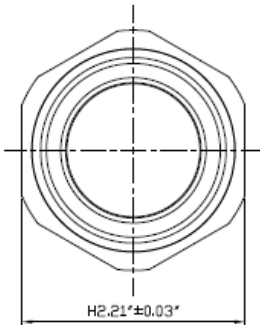
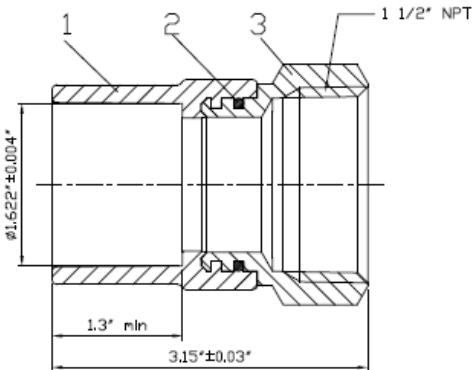
FEATURES & BENEFITS

- CPVC X Stainless Steel Adapter Fittings
- For use in new and retrofit installations in residential and light commercial plumbing systems.
- Durable over molded one-piece fitting eliminates union tail-piece connection and possible leak path,
- Molded CPVC end piece with slip connection.
- Pressure rated to 100 psi at 180° F / 150 psi at 100° F
- Manufactured to the material and dimensional requirements of ASTM D-2846
- Male and Female threads to ASME B 1.20.1
- Standards: CPVC 4120, ASTM D2846, NSF / ANSI 14, cUPC, CSA B137.6
- Stocked in Sizes 1/2" - 2"

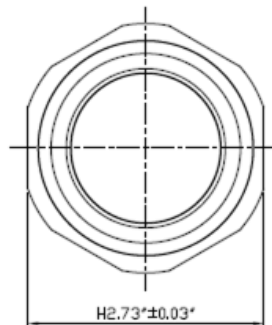
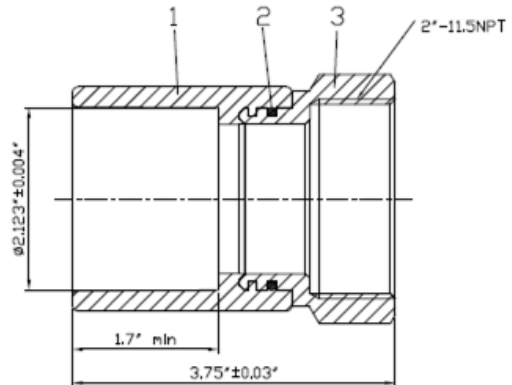
MATERIAL SPECIFICATIONS

No.	Part	Material
1	End Piece	CPVC / ASTM D1784
2	O-Ring	EPDM
3	Body	Stainless Steel 304

CPVCFA07SS



CPVCFA08SS



MATCO-NORCA

Global sourcing. National compliance. Local service.

CPVC x SS Male Adapter • Spec Sheet



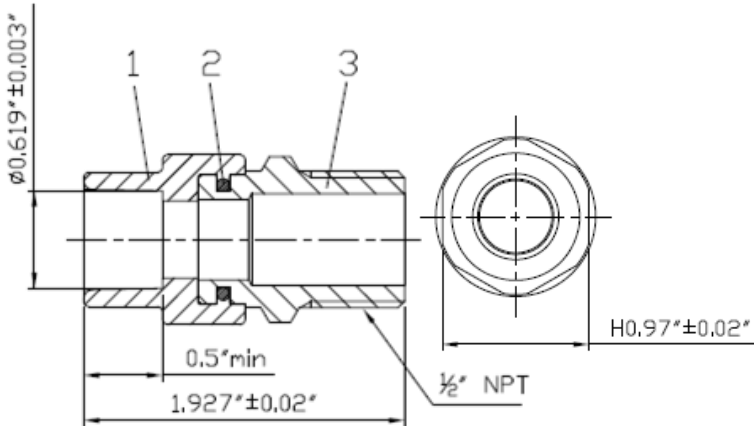
FEATURES & BENEFITS

- CPVC X Stainless Steel Adapter Fittings
- For use in new and retrofit installations in residential and light commercial plumbing systems.
- Durable over molded one-piece fitting eliminates union tail-piece connection and possible leak path,
- Molded CPVC end piece with slip connection.
- Pressure rated to 100 psi at 180° F / 150 psi at 100° F
- Manufactured to the material and dimensional requirements of ASTM D-2846
- Male and Female threads to ASME B 1.20.1
- Standards: CPVC 4120, ASTM D2846, NSF / ANSI 14, cUPC, CSA B137.6
- Stocked in Sizes 1/2" - 2"

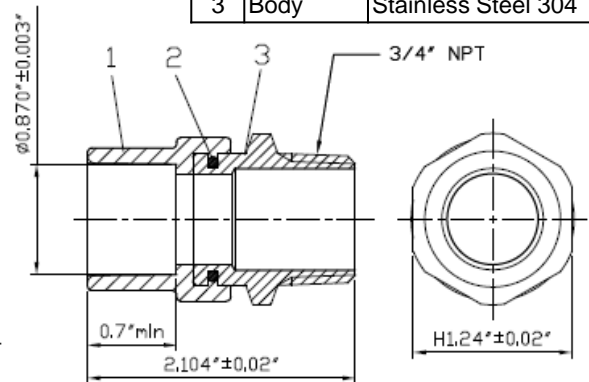
MATERIAL SPECIFICATIONS

No.	Part	Material
1	End Piece	CPVC / ASTM D1784
2	O-Ring	EPDM
3	Body	Stainless Steel 304

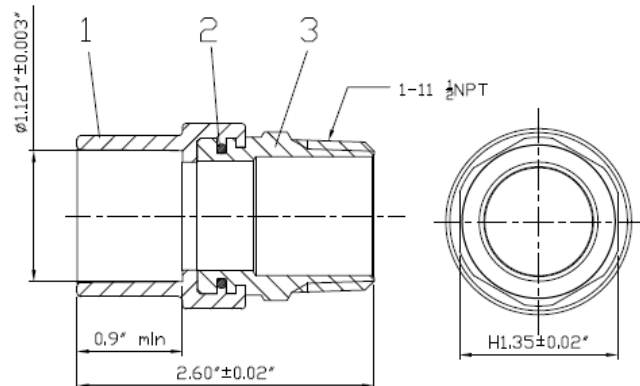
CPVCMA03SS



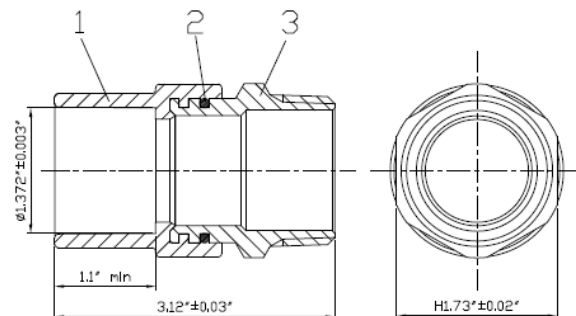
CPVCMA04SS



CPVCMA05SS



CPVCMA06SS



CPVC x SS Male Adapter • Spec Sheet



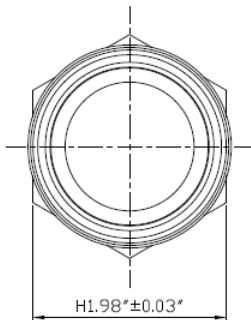
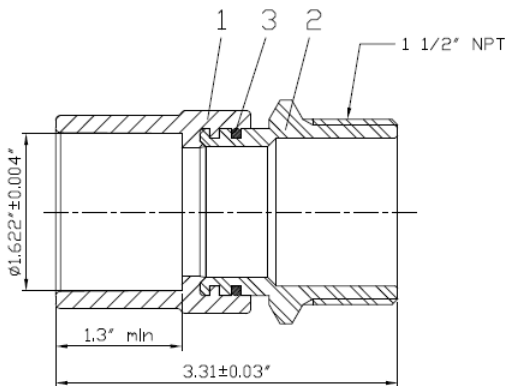
FEATURES & BENEFITS

- CPVC X Stainless Steel Adapter Fittings
- For use in new and retrofit installations in residential and light commercial plumbing systems.
- Durable over molded one-piece fitting eliminates union tail-piece connection and possible leak path,
- Molded CPVC end piece with slip connection.
- Pressure rated to 100 psi at 180° F / 150 psi at 100° F
- Manufactured to the material and dimensional requirements of ASTM D-2846
- Male and Female threads to ASME B 1.20.1
- Standards: CPVC 4120, ASTM D2846, NSF / ANSI 14, cUPC, CSA B137.6
- Stocked in Sizes 1/2" - 2"

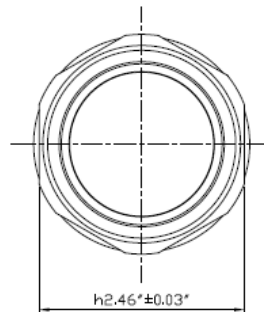
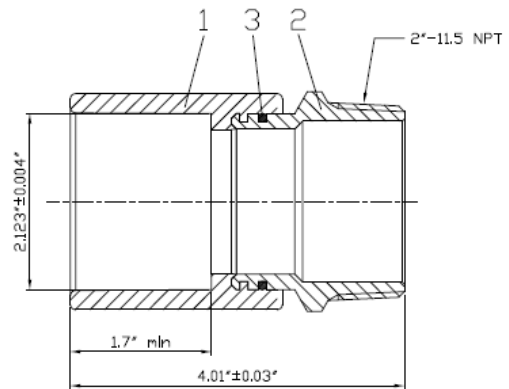
MATERIAL SPECIFICATIONS

No.	Part	Material
1	End Piece	CPVC / ASTM D1784
2	O-Ring	EPDM
3	Body	Stainless Steel 304

CPVCMA07SS



CPVCMA08SS



MATCO-NORCA
 Global sourcing. National compliance. Local service.

CALIFORNIA 5593 Fresca Dr., La Palma CA 90623 • Toll Free: 866-532-8306 • Fax: 866-532-8307
TEXAS 1150 Silber Rd., Houston TX 77055 • Toll Free: 800-935-5456 • Fax: 713-680-2999
NEW YORK PO Box 27, Rt. 22, Brewster NY 10509 • Toll Free: 800-431-2082 • Fax: 845-278-9056
 WEB: www.matco-norca.com EMAIL: mail@matco-norca.com