

IBIT Bronze Insert Tee • Spec Sheet

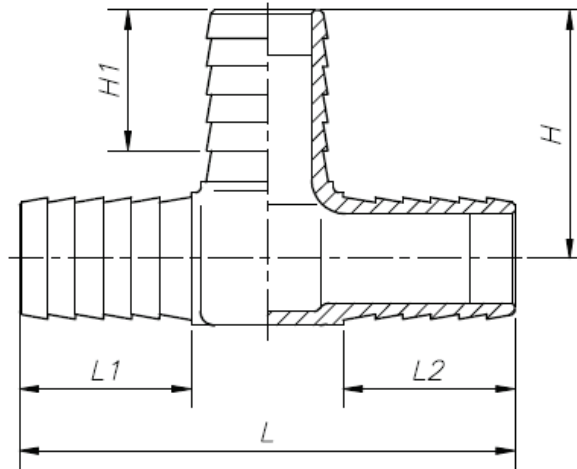


FEATURES & BENEFITS

- Lead Free Bronze
- Insert x Insert Adapter
- Sizes 3/4" - 1-1/4"

MATERIAL SPECIFICATIONS

Part	Material
Body	Bronze C89844



DIMENSIONS

Part	Size	Barb	H	H1	L	L1	L2
IBIT04LF	3/4"	5	1.75	1.21	3.49	1.21	1.21
IBIT05LF	1"	5	1.88	1.21	3.76	1.21	1.21
IBIT06LF	1-1/4"	5	2.43	1.41	4.87	1.41	1.41



* These product complies with 0.25% weighted average lead content on wetted surfaces in accordance with Safe Water Drinking Act (SDWA) / Federal Public Law No. 111-380.

Global sourcing. National compliance. Local service.

CALIFORNIA 5593 Fresca Dr., La Palma CA 90623 • Toll Free: 866-532-8306 • Fax: 866-532-8307
TEXAS 1150 Silber Rd., Houston TX 77055 • Toll Free: 800-935-5456 • Fax: 713-680-2999
NEW YORK PO Box 27, Rt. 22, Brewster NY 10509 • Toll Free: 800-431-2082 • Fax: 845-278-9056
 WEB: www.matco-norca.com EMAIL: mail@matco-norca.com