

ISP / ISCP SS Insert Stiffener • Spec Sheet



FEATURES & BENEFITS

- SS Insert Stiffener
- Flanged & Dimpled
- ISP - Fits IPS Polyethylene Pipe
- ISCP - Fits CTS Polyethylene Tube
- Sizes 3/4" – 2"

MATERIAL SPECIFICATIONS

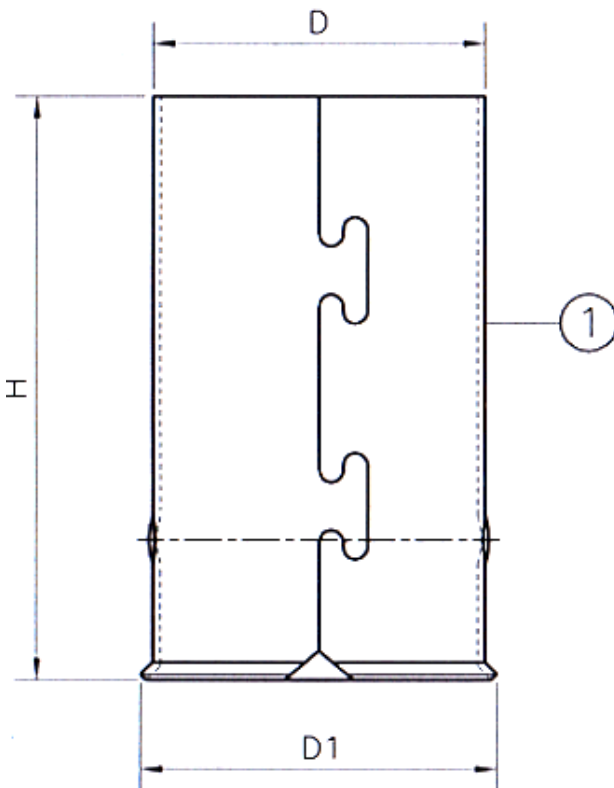
No.	Part	Material
1	Pipe	Stainless Steel 304

ISP DIMENSIONS

Part #	Size	D	D1	H
ISP04	3/4"	0.80	0.95	1.78
ISP05	1"	1.03	1.13	2.38
ISP06	1-1/4"	1.36	1.46	2.38
ISP07	1-1/2"	1.58	1.68	3.00
ISP08	2"	2.03	2.13	3.00

ISCP DIMENSIONS

Part #	Size	D	D1	H
ISCP04	3/4"	0.65	0.78	1.64
ISCP05	1"	0.84	1.00	1.78
ISCP06	1-1/4"	1.03	1.13	2.38
ISCP07	1-1/2"	1.21	1.34	2.52
ISCP08	2"	1.59	1.71	2.52



Global sourcing. National compliance. Local service.

CALIFORNIA 5593 Fresca Dr., La Palma CA 90623

TEXAS 1150 Silber Rd., Houston TX 77055

ILLINOIS 278 Windy Point Dr., Glendale Heights, IL 60139

NEW YORK PO Box 27, Rt.22, Brewster NY 10509

WEB: www.matco-norca.com

• Phone: 866-532-8306 • Fax: 866-532-8307

• Phone: 800-935-5456 • Fax: 713-680-2999

• Phone: 844-412-5068 • Fax: 800-640-2252

• Phone: 800-431-2082 • Fax: 845-278-9056

EMAIL: mail@matco-norca.com