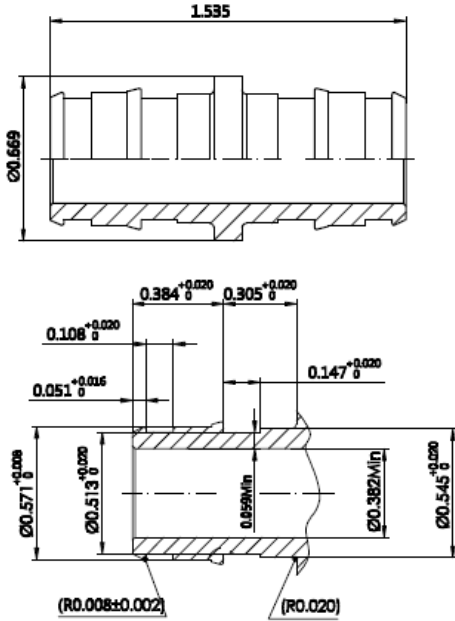


# Lead Free Cold Expansion PEX Fittings Specification Sheet

## PXCECP03LF



## LEAD FREE F1960 PEX COUPLINGS



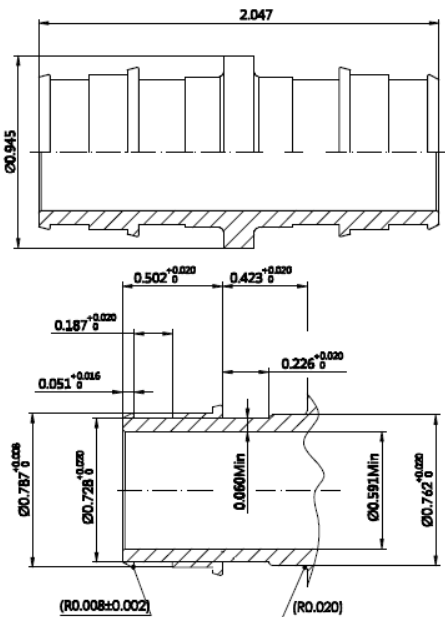
### Features:

- Lead Free Compliant
- Max. Working Temp./Pressure: 180° F @ 100 PSI
- For use in Hot and Cold Potable Water Distribution Systems
- Manufactured and tested in accordance with ASTM F1960 and F877
- Compliant with CSA B137.5

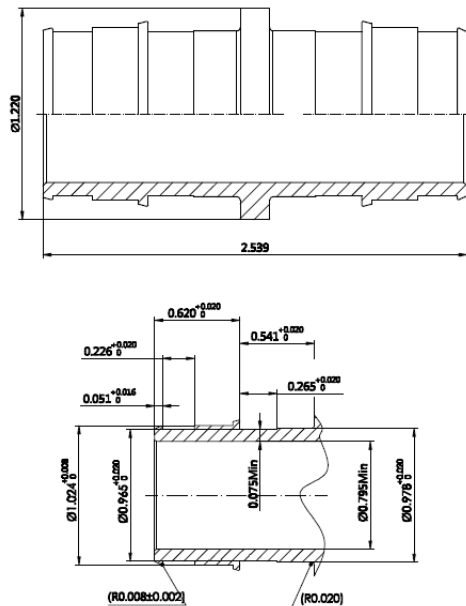
### Approvals / Standards:

- ASTM F1960
- CSA B137.5
- NSF/ANSI 14, NSF/ANSI 61, NSF/ANSI 372
- cNSFus
- cUPC

## PXCECP04LF



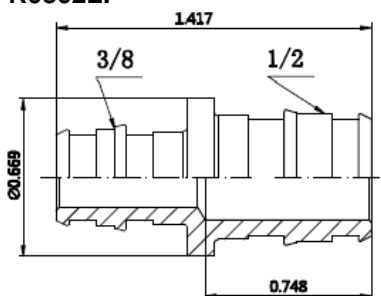
## PXCECP05LF



# Lead Free Cold Expansion PEX Fittings Specification Sheet

## LEAD FREE F1960 PEX REDUCING COUPLINGS

PXCECPR0302LF

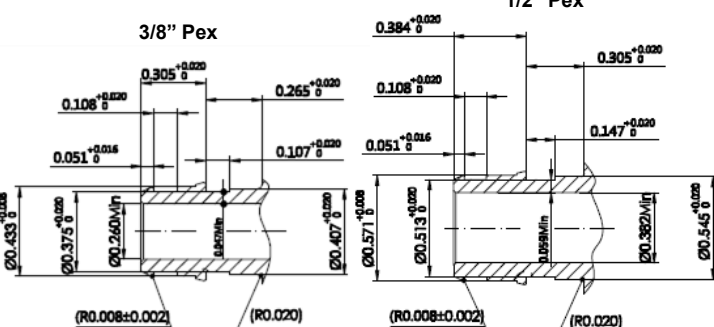


**Features:**

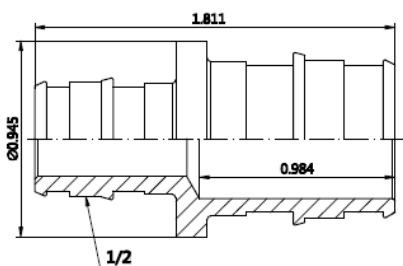
- Lead Free Compliant
- Max. Working Temp./Pressure:  
180° F @ 100 PSI
- For use in Hot and Cold Potable Water  
Distribution Systems
- Manufactured and tested in accordance  
with ASTM F1960 and F877
- Compliant with CSA B137.5

**Approvals / Standards:**

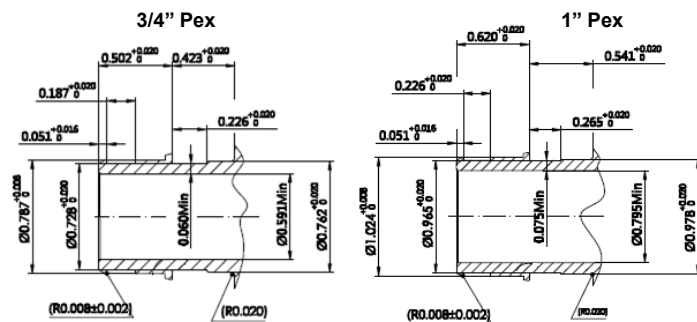
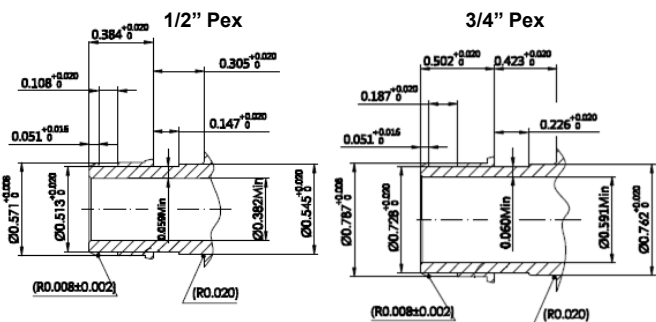
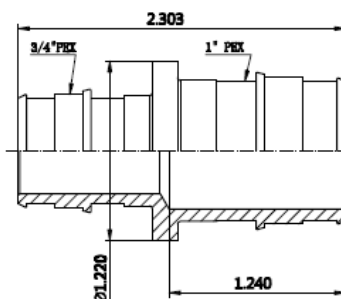
- ASTM F1960
- CSA B137.5
- NSF/ANSI 14, NSF/ANSI 61,  
NSF/ANSI 372
- cNSFus
- cUPC



PXCECPR0403LF



PXCECPR0504LF



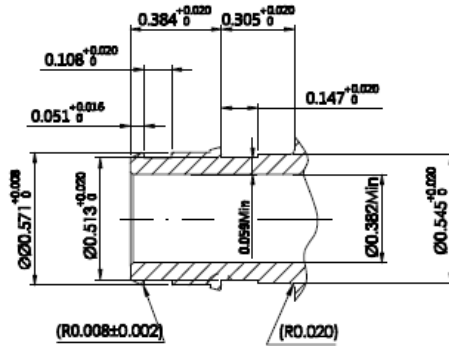
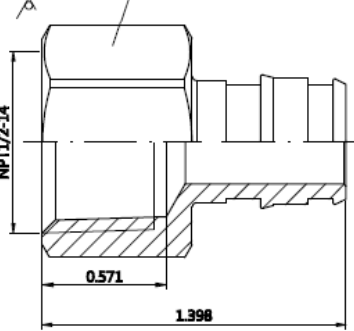
# Lead Free Cold Expansion PEX Fittings

## Specification Sheet

### LEAD FREE F1960 PEX x IP FEMALE ADAPTER

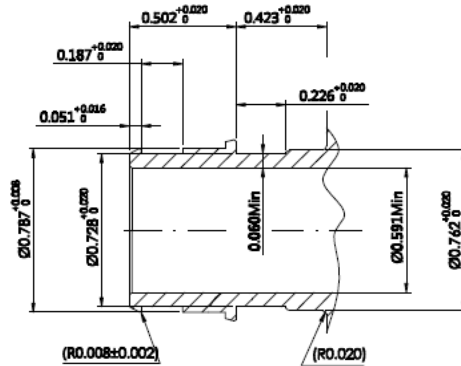
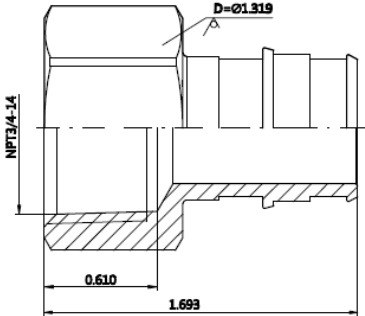
#### PXCEFA0303LF

S=0.945  
D=Ø1.063



#### PXCEFA0404LF

S=1.181  
D=Ø1.319



#### Features:

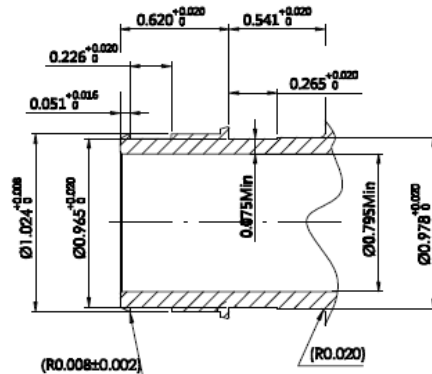
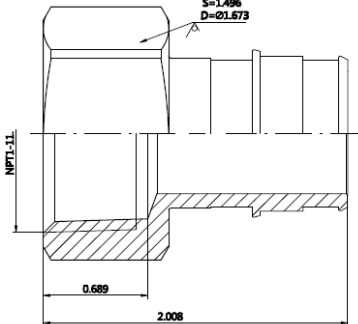
- Lead Free Compliant
- Max. Working Temp./Pressure: 180° F @ 100 PSI
- For use in Hot and Cold Potable Water Distribution Systems
- Manufactured and tested in accordance with ASTM F1960 and F877
- Compliant with CSA B137.5

#### Approvals / Standards:

- ASTM F1960
- CSA B137.5
- NSF/ANSI 14, NSF/ANSI 61, NSF/ANSI 372
- cNSFus
- cUPC

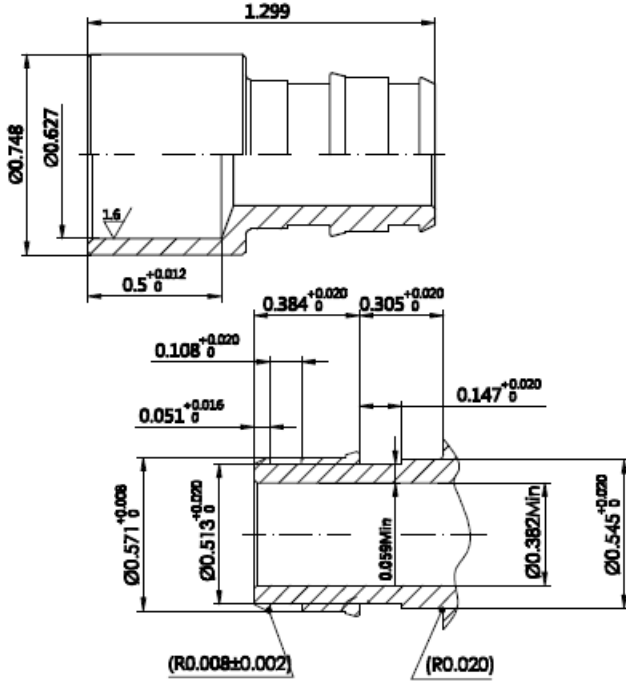
#### PXCEFA0505LF

S=1.496  
D=Ø1.573



# Lead Free Cold Expansion PEX Fittings Specification Sheet

PXCEFAC0303LF



LEAD FREE SWEAT x F1960 PEX ADAPTER



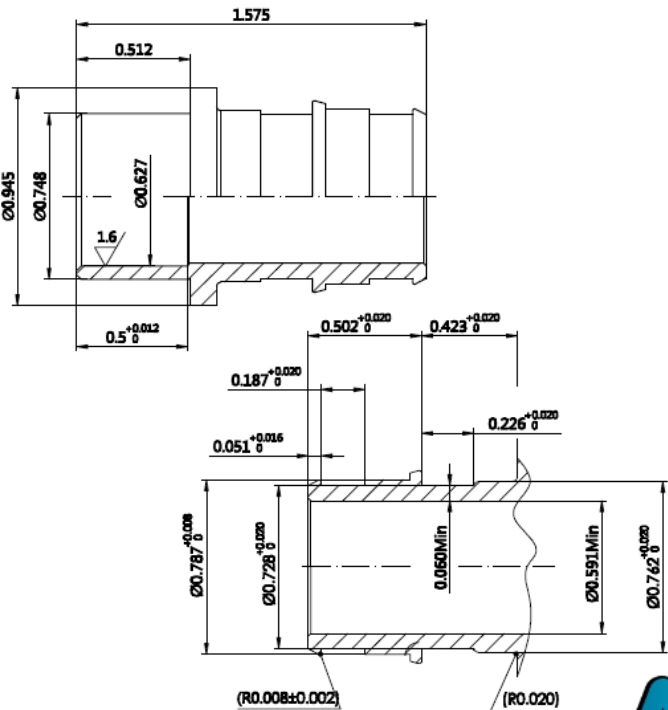
**Features:**

- Lead Free Compliant
- Max. Working Temp./Pressure: 180° F @ 100 PSI
- For use in Hot and Cold Potable Water Distribution Systems
- Manufactured and tested in accordance with ASTM F1960 and F877
- Compliant with CSA B137.5

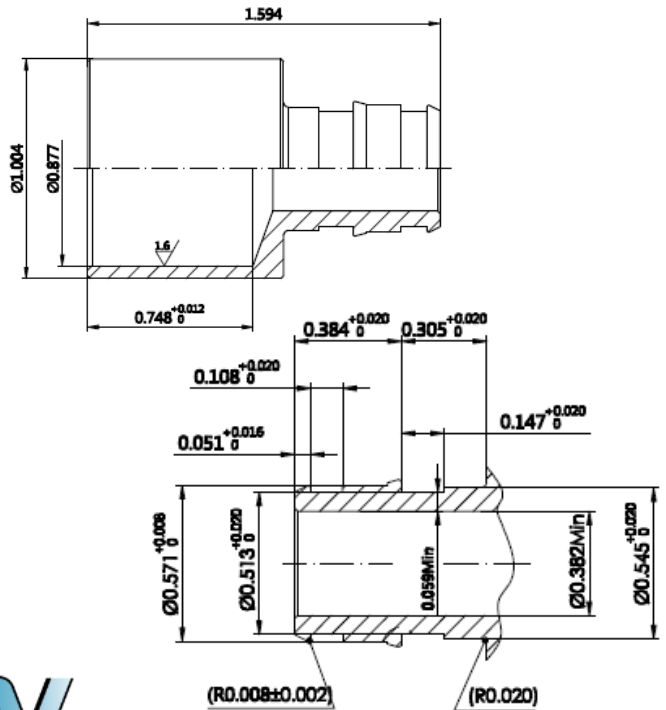
**Approvals / Standards:**

- ASTM F1960
- CSA B137.5
- NSF/ANSI 14, NSF/ANSI 61, NSF/ANSI 372
- cNSFus
- cUPC

PXCEFAC0304LF



PXCEFAC0403LF



# Lead Free Cold Expansion PEX Fittings

## Specification Sheet

### LEAD FREE SWEAT x F1960 PEX ADAPTER

**Features:**

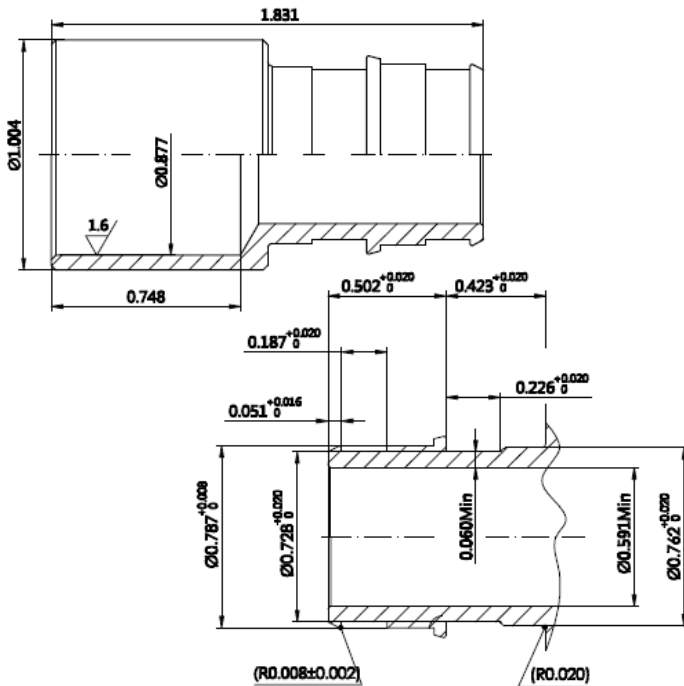
- Lead Free Compliant
- Max. Working Temp./Pressure: 180° F @ 100 PSI
- For use in Hot and Cold Potable Water Distribution Systems
- Manufactured and tested in accordance with ASTM F1960 and F877
- Compliant with CSA B137.5

**Approvals / Standards:**

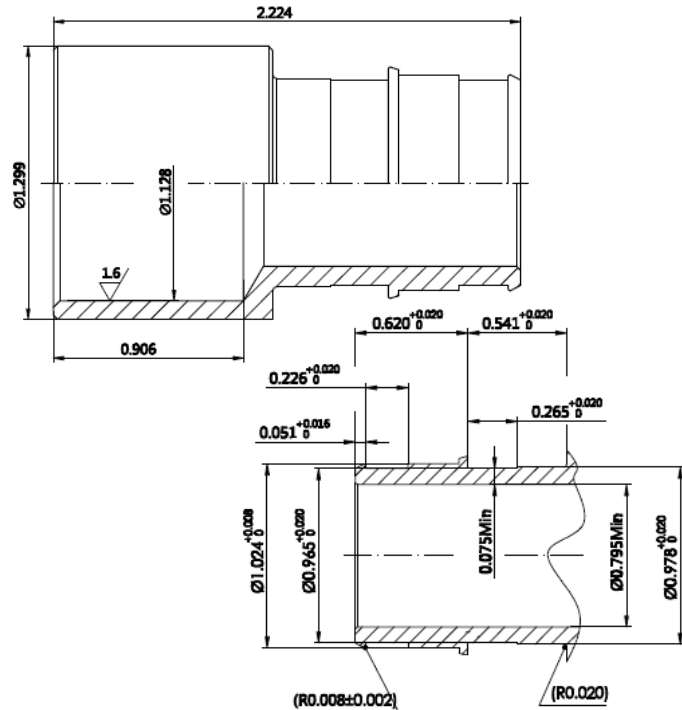
- ASTM F1960
- CSA B137.5
- NSF/ANSI 14, NSF/ANSI 61, NSF/ANSI 372
- cNSFus
- cUPC



PXCEFAC0404LF



PXCEFAC0505LF



# Lead Free Cold Expansion PEX Fittings

## Specification Sheet

### LEAD FREE F1960 PEX BARB x FPT BRASS DROP EAR ELBOW

#### Features:

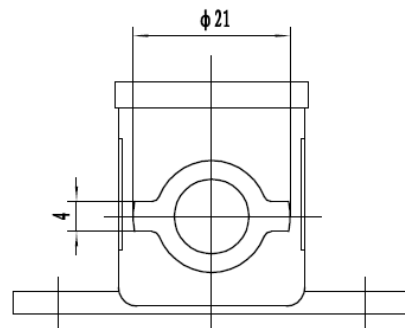
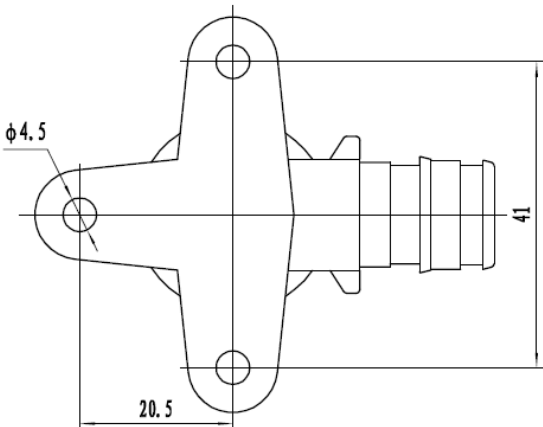
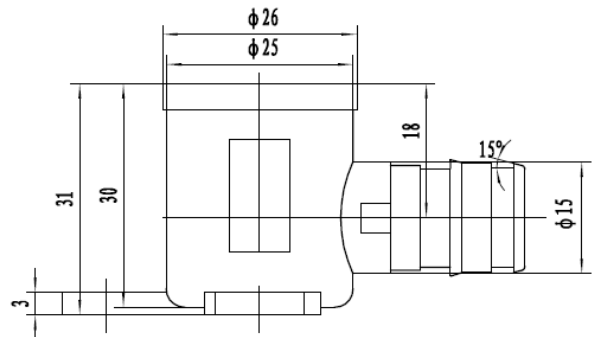
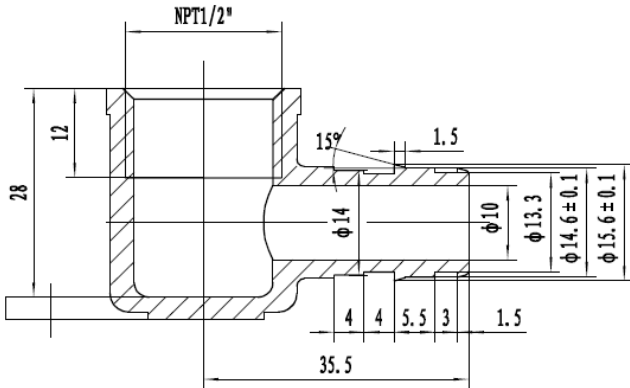
- Lead Free Compliant
- Max. Working Temp./Pressure: 180° F @ 100 PSI
- For use in Hot and Cold Potable Water Distribution Systems
- Manufactured and tested in accordance with ASTM F1960 and F877
- Compliant with CSA B137.5

#### Approvals / Standards:

- ASTM F1960
- CSA B137.5
- NSF/ANSI 14, NSF/ANSI 61, NSF/ANSI 372
- cNSFus
- cUPC



#### PXCELD0303LF



# Lead Free Cold Expansion PEX Fittings

## Specification Sheet

### LEAD FREE F1960 PEX BARB x FPT BRASS DROP EAR ELBOW

#### Features:

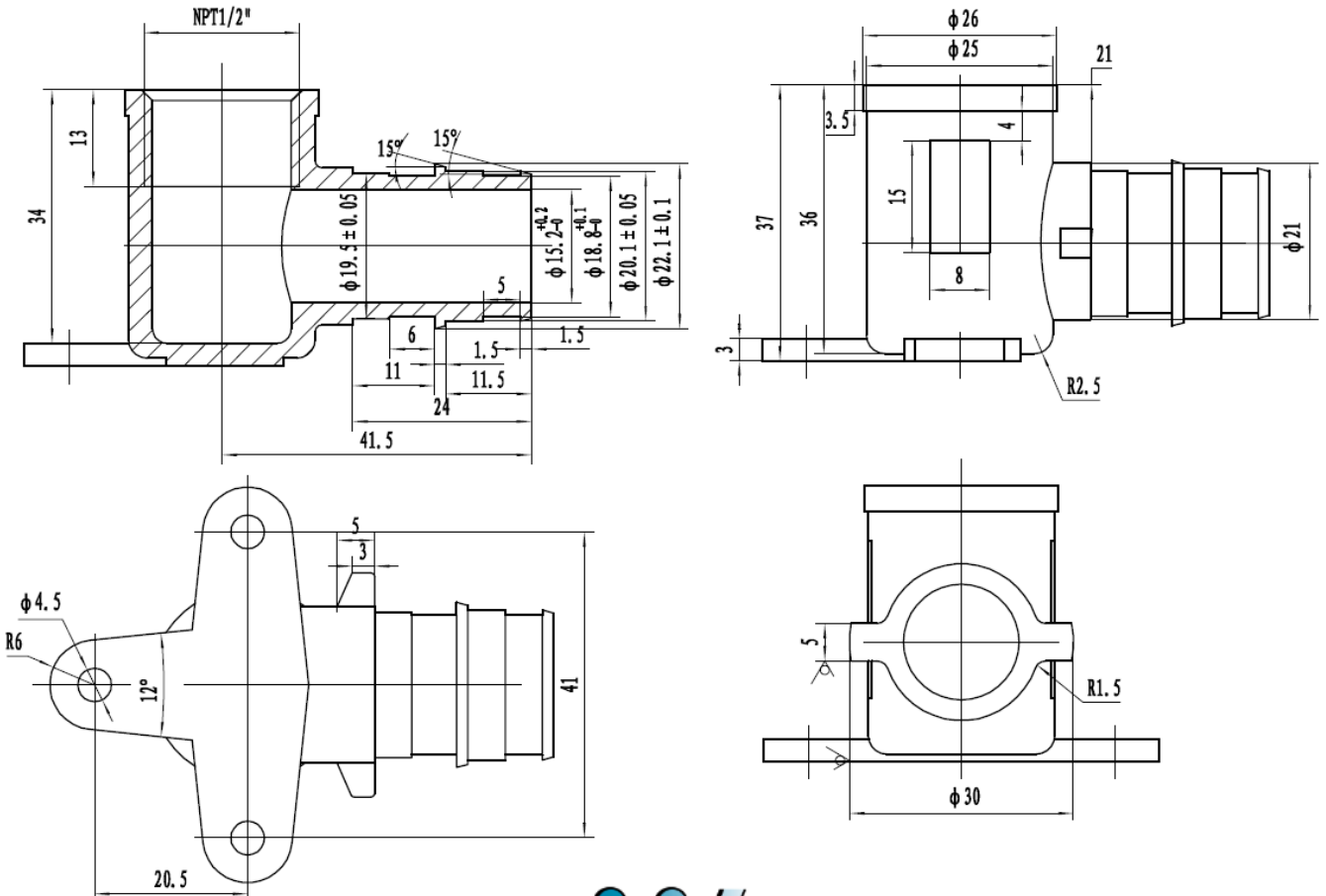
- Lead Free Compliant
- Max. Working Temp./Pressure: 180° F @ 100 PSI
- For use in Hot and Cold Potable Water Distribution Systems
- Manufactured and tested in accordance with ASTM F1960 and F877
- Compliant with CSA B137.5

#### Approvals / Standards:

- ASTM F1960
- CSA B137.5
- NSF/ANSI 14, NSF/ANSI 61, NSF/ANSI 372
- cNSFus
- cUPC



#### PXCELD0404LF



# Lead Free Cold Expansion PEX Fittings

## Specification Sheet

### LEAD FREE F1960 PEX BARB x FPT BRASS DROP EAR ELBOW

#### Features:

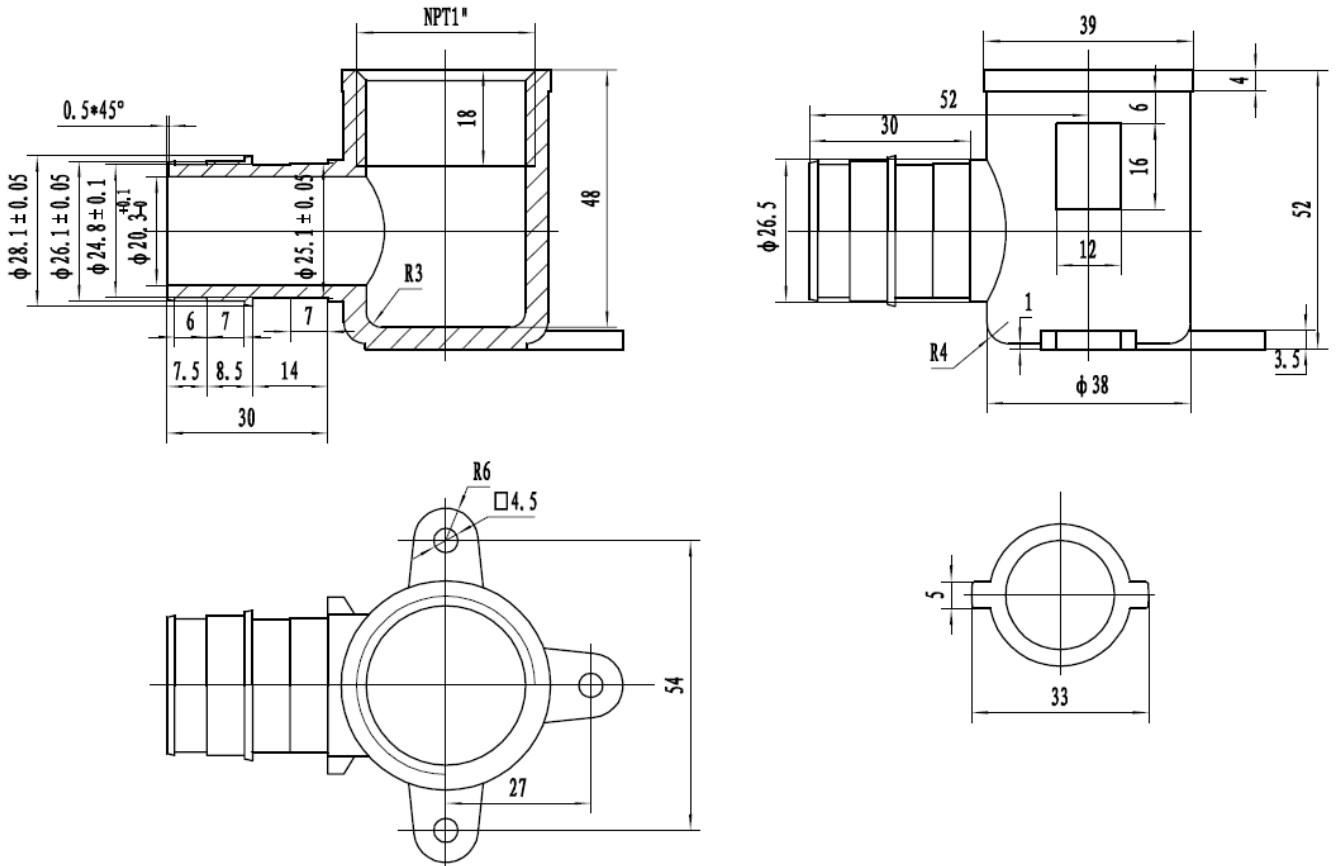
- Lead Free Compliant
- Max. Working Temp./Pressure: 180° F @ 100 PSI
- For use in Hot and Cold Potable Water Distribution Systems
- Manufactured and tested in accordance with ASTM F1960 and F877
- Compliant with CSA B137.5

#### Approvals / Standards:

- ASTM F1960
- CSA B137.5
- NSF/ANSI 14, NSF/ANSI 61, NSF/ANSI 372
- cNSFus
- cUPC



#### PXCELD0505LF





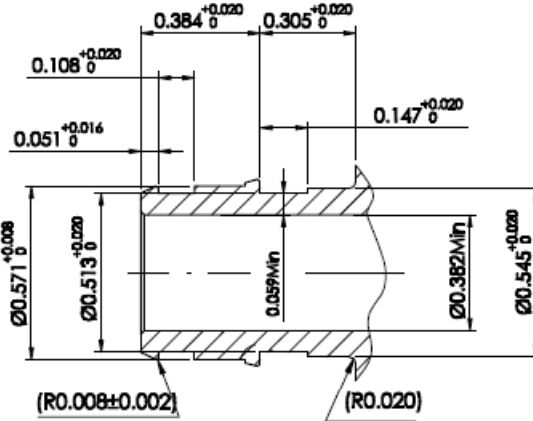
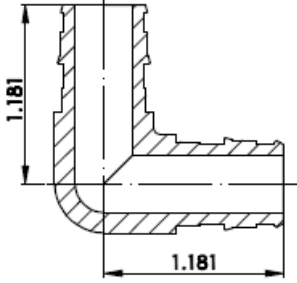
# Lead Free Cold Expansion PEX Fittings

## Specification Sheet

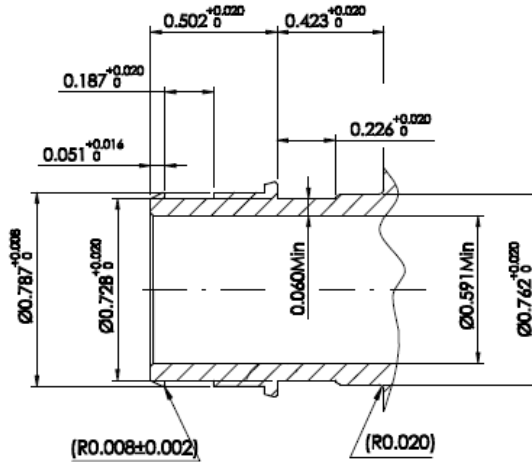
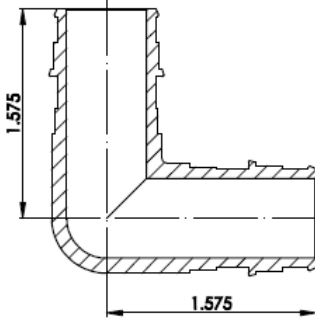
### LEAD FREE F1960 PEX ELBOW



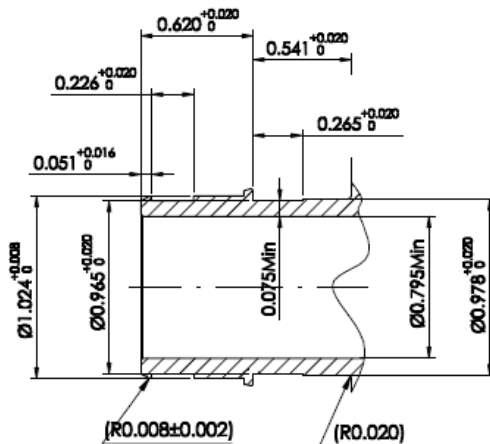
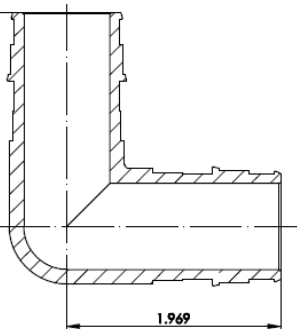
PXCEL03LF



PXCEL04LF



PXCEL05LF



#### Features:

- Lead Free Compliant
- Max. Working Temp./Pressure: 180° F @ 100 PSI
- For use in Hot and Cold Potable Water Distribution Systems
- Manufactured and tested in accordance with ASTM F1960 and F877
- Compliant with CSA B137.5

#### Approvals / Standards:

- ASTM F1960
- CSA B137.5
- NSF/ANSI 14, NSF/ANSI 61, NSF/ANSI 372
- cNSFus
- cUPC

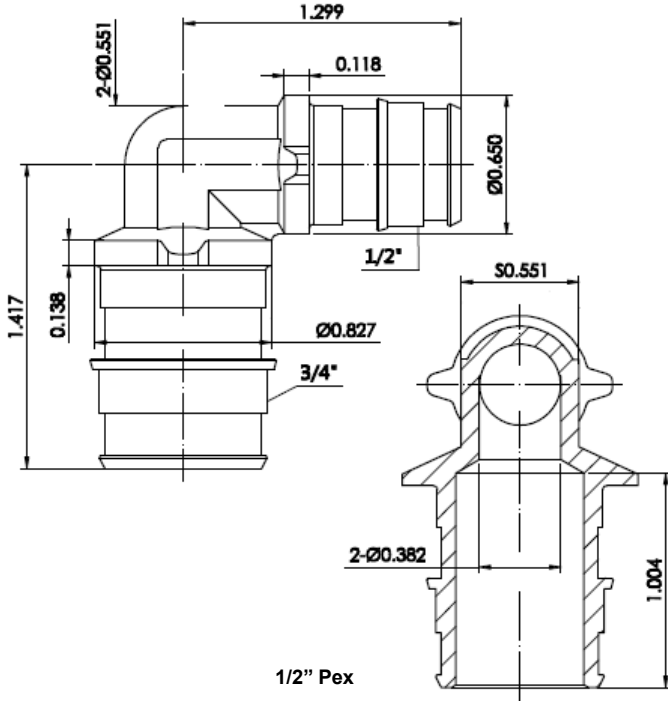


# Lead Free Cold Expansion PEX Fittings

## Specification Sheet

### LEAD FREE F1960 PEX REDUCING ELBOW

PXCERL0403LF



1/2" Pex



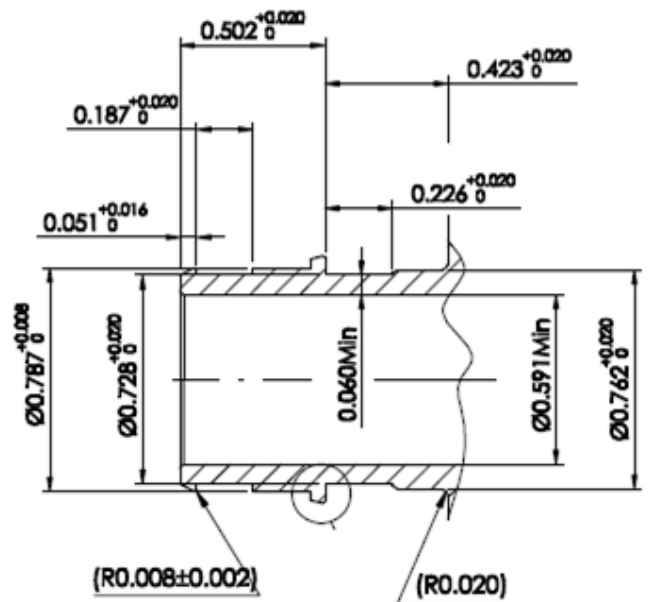
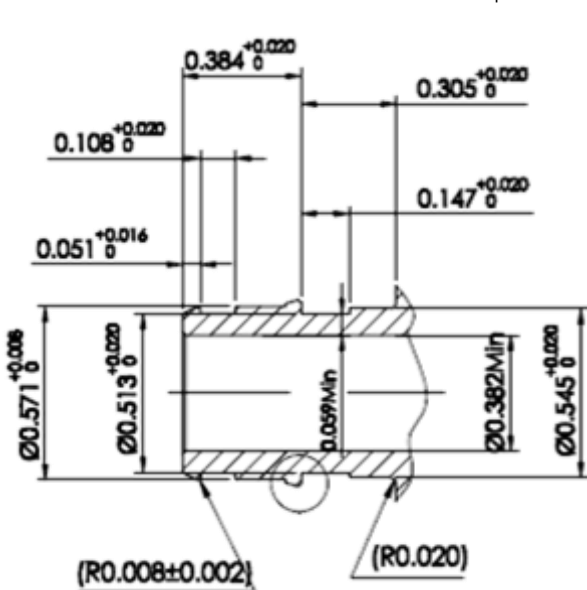
**Features:**

- Lead Free Compliant
- Max. Working Temp./Pressure:  
180° F @ 100 PSI
- For use in Hot and Cold Potable Water  
Distribution Systems
- Manufactured and tested in accordance  
with ASTM F1960 and F877
- Compliant with CSA B137.5

**Approvals / Standards:**

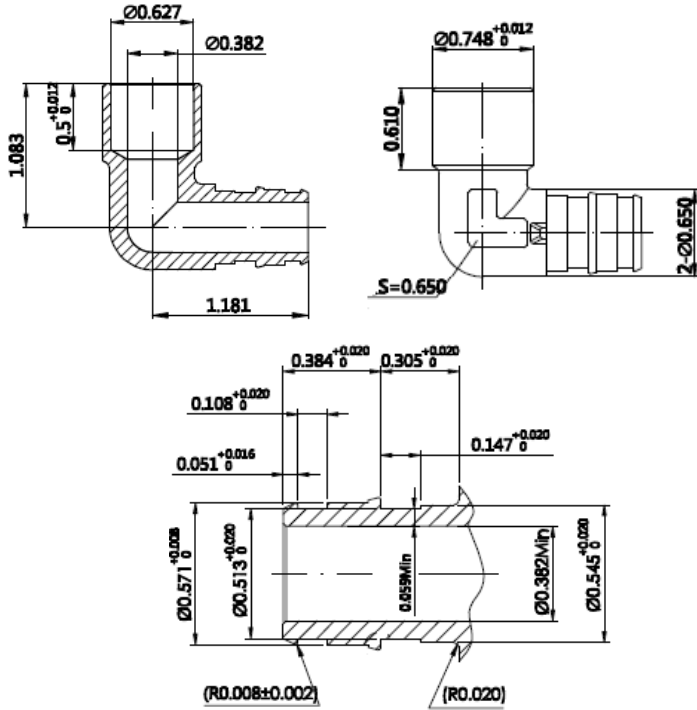
- ASTM F1960
- CSA B137.5
- NSF/ANSI 14, NSF/ANSI 61,  
NSF/ANSI 372
- cNSFus
- cUPC

3/4" Pex



# Lead Free Cold Expansion PEX Fittings Specification Sheet

PXCELFC0303LF



## LEAD FREE SWEAT x F1960 PEX ELBOW



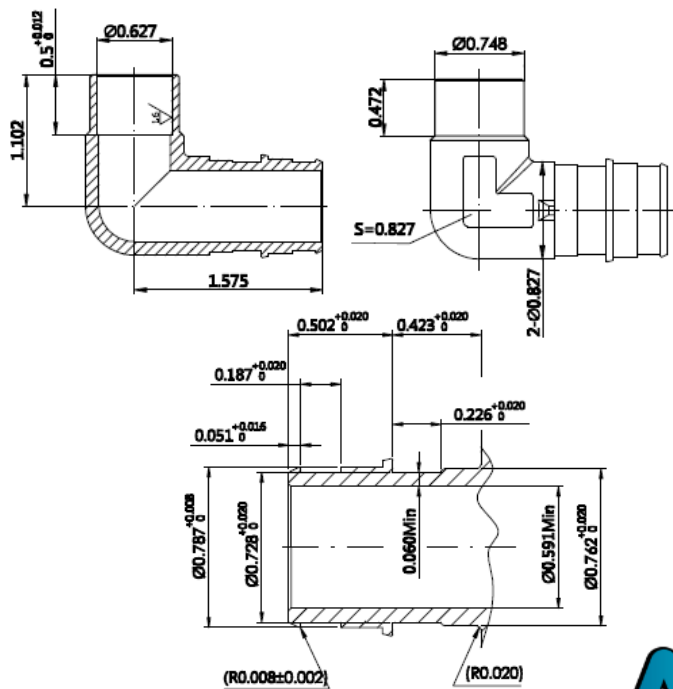
### Features:

- Lead Free Compliant
- Max. Working Temp./Pressure: 180° F @ 100 PSI
- For use in Hot and Cold Potable Water Distribution Systems
- Manufactured and tested in accordance with ASTM F1960 and F877
- Compliant with CSA B137.5

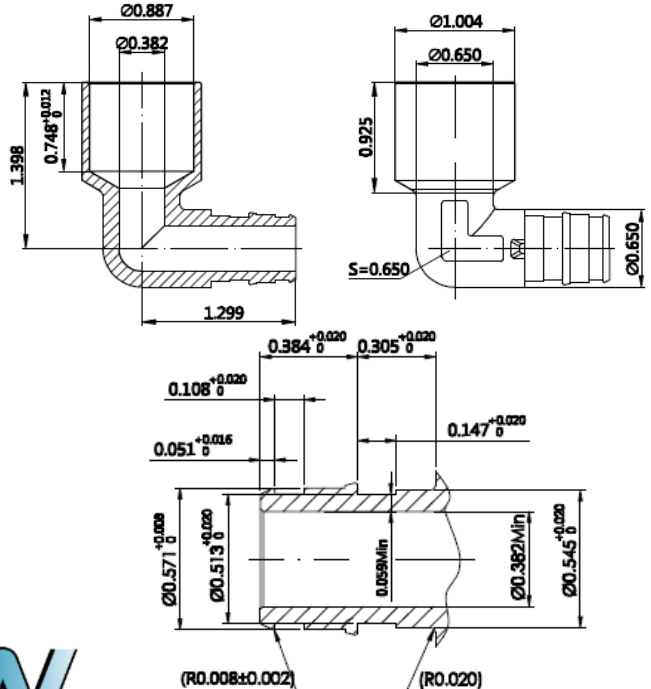
### Approvals / Standards:

- ASTM F1960
- CSA B137.5
- NSF/ANSI 14, NSF/ANSI 61, NSF/ANSI 372
- cNSFus
- cUPC

PXCELFC0304LF



PXCELFC0403LF



# Lead Free Cold Expansion PEX Fittings

## Specification Sheet

### LEAD FREE SWEAT x F1960 PEX ELBOW



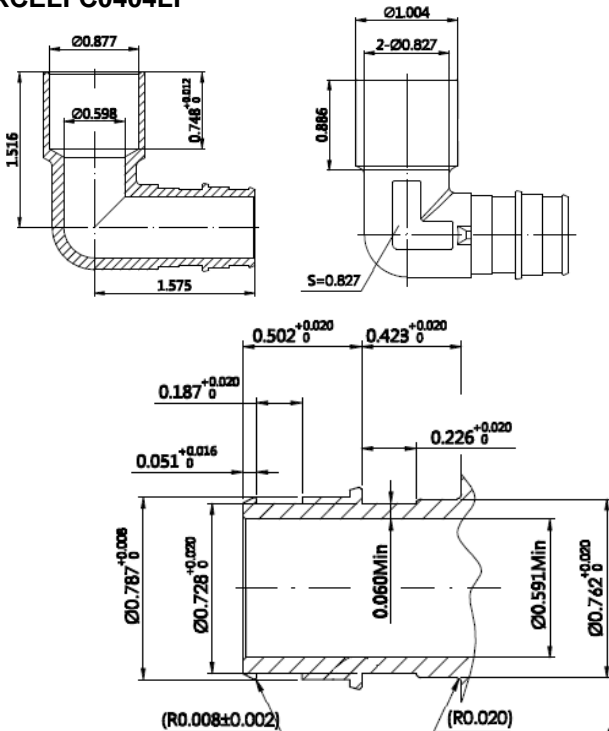
#### Features:

- Lead Free Compliant
- Max. Working Temp./Pressure: 180° F @ 100 PSI
- For use in Hot and Cold Potable Water Distribution Systems
- Manufactured and tested in accordance with ASTM F1960 and F877
- Compliant with CSA B137.5

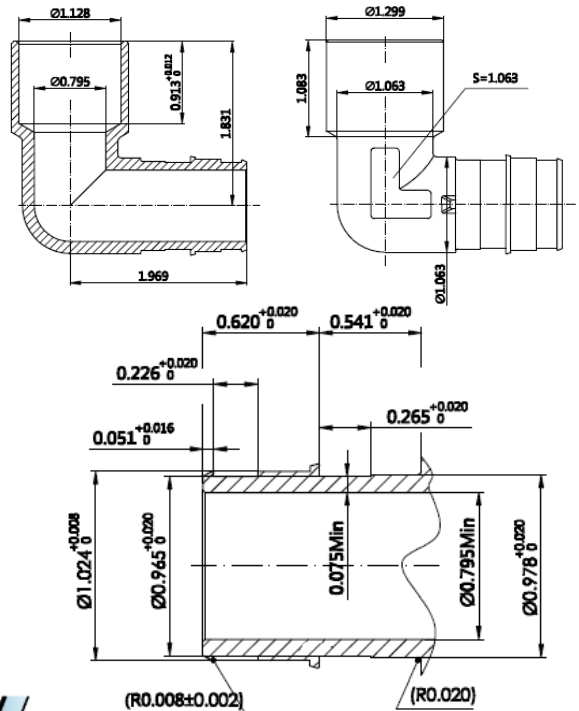
#### Approvals / Standards:

- ASTM F1960
- CSA B137.5
- NSF/ANSI 14, NSF/ANSI 61, NSF/ANSI 372
- cNSFus
- cUPC

#### PXCELFC0404LF



#### PXCELFC0505LF



# Lead Free Cold Expansion PEX Fittings

## Specification Sheet

### LEAD FREE F1960 PEX x IP MALE ELBOW



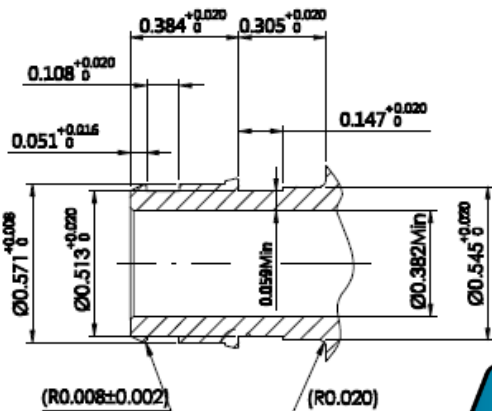
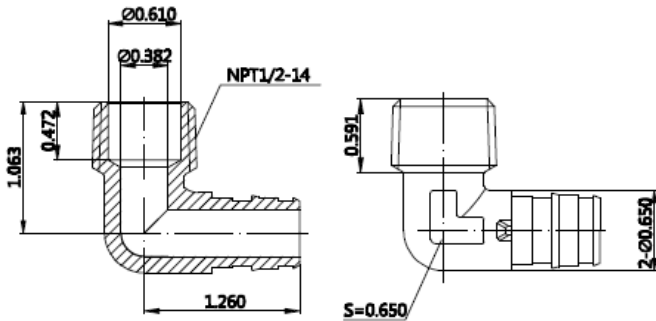
#### Features:

- Lead Free Compliant
- Max. Working Temp./Pressure: 180° F @ 100 PSI
- For use in Hot and Cold Potable Water Distribution Systems
- Manufactured and tested in accordance with ASTM F1960 and F877
- Compliant with CSA B137.5

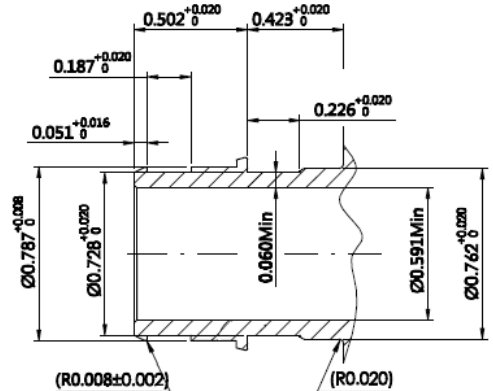
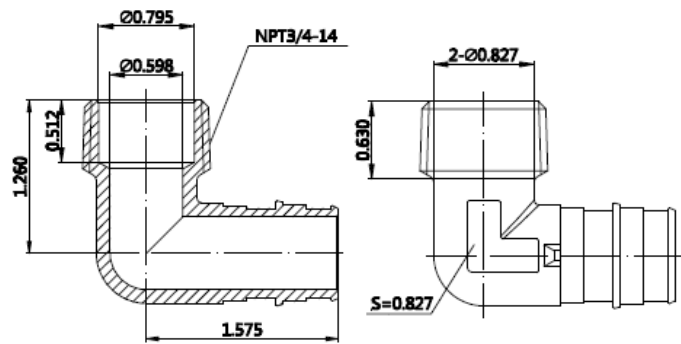
#### Approvals / Standards:

- ASTM F1960
- CSA B137.5
- NSF/ANSI 14, NSF/ANSI 61, NSF/ANSI 372
- cNSFus
- cUPC

#### PXCELM0303LF



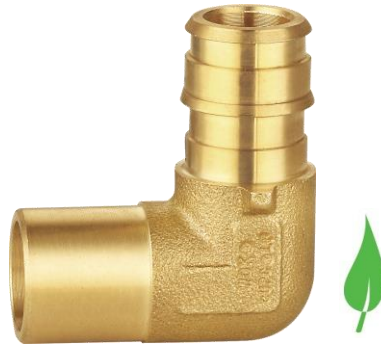
#### PXCELM0404LF



# Lead Free Cold Expansion PEX Fittings

## Specification Sheet

### LEAD FREE MALE SWEAT (STREET) x F1960 PEX ELBOW



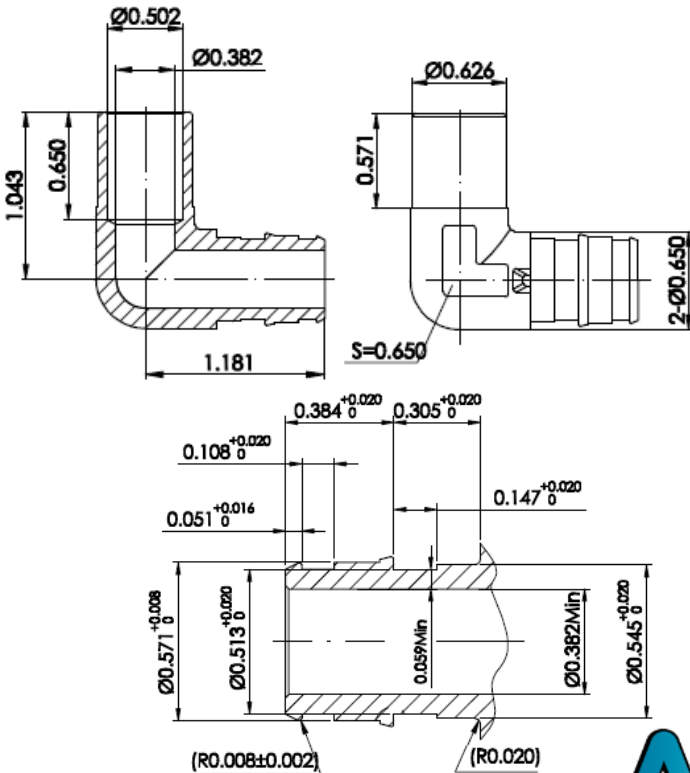
#### Features:

- Lead Free Compliant
- Max. Working Temp./Pressure: 180° F @ 100 PSI
- For use in Hot and Cold Potable Water Distribution Systems
- Manufactured and tested in accordance with ASTM F1960 and F877
- Compliant with CSA B137.5

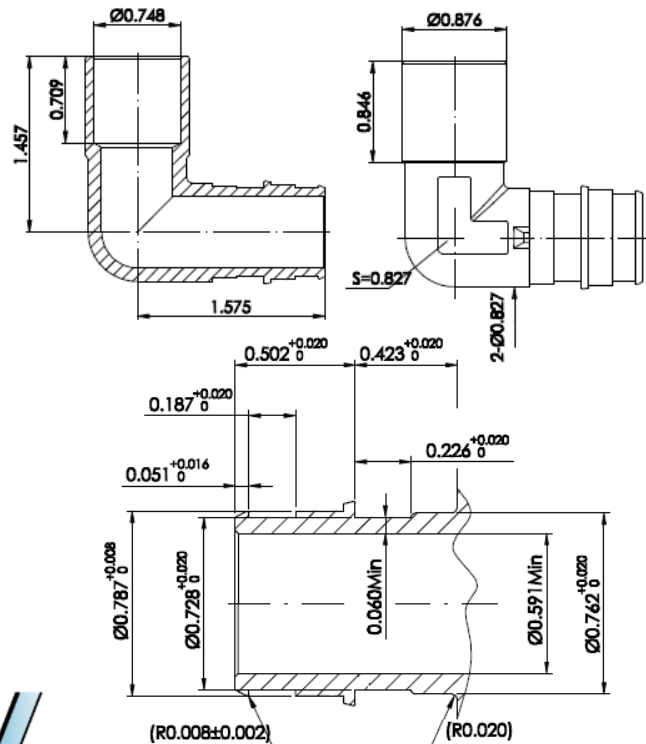
#### Approvals / Standards:

- ASTM F1960
- CSA B137.5
- NSF/ANSI 14, NSF/ANSI 61, NSF/ANSI 372
- cNSFus
- cUPC

#### PXCELMC0303LF



#### PXCELMC0404LF

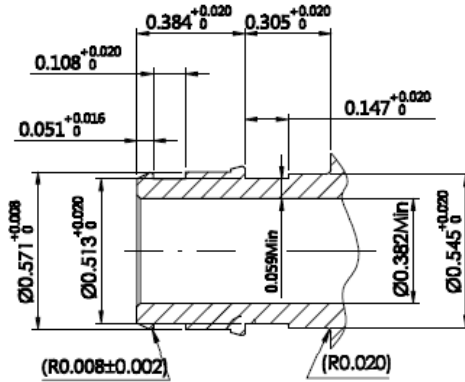
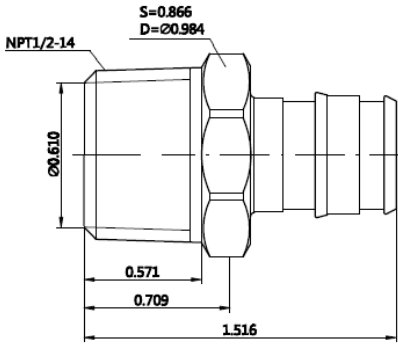


# Lead Free Cold Expansion PEX Fittings

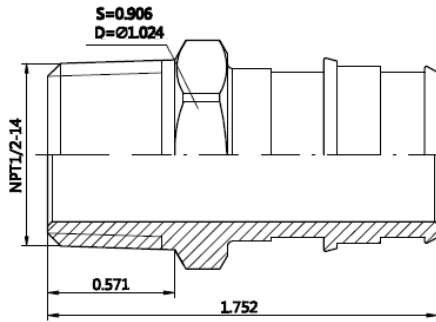
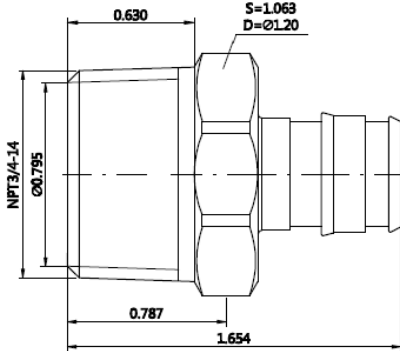
## Specification Sheet

### LEAD FREE F1960 PEX x IP MALE ADAPTER

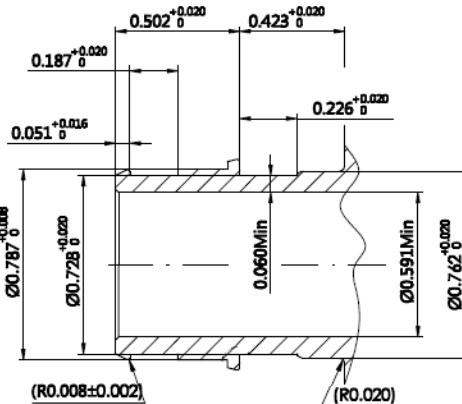
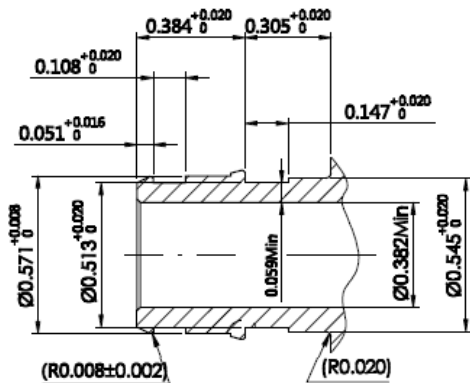
PXCEMA0303LF



PXCEMA0304LF



PXCEMA0403LF



#### Features:

- Lead Free Compliant
- Max. Working Temp./Pressure: 180° F @ 100 PSI
- For use in Hot and Cold Potable Water Distribution Systems
- Manufactured and tested in accordance with ASTM F1960 and F877
- Compliant with CSA B137.5

#### Approvals / Standards:

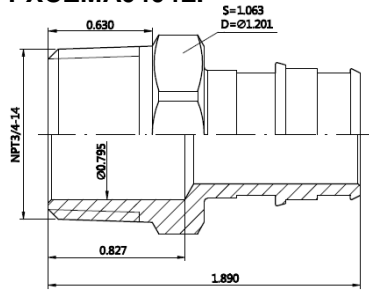
- ASTM F1960
- CSA B137.5
- NSF/ANSI 14, NSF/ANSI 61, NSF/ANSI 372
- cNSFus
- cUPC



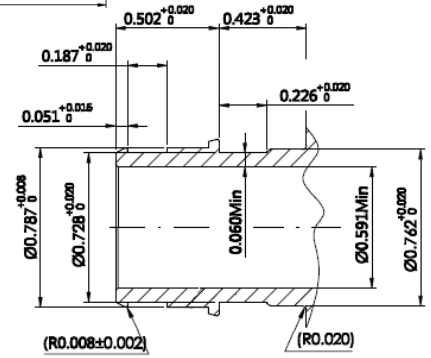
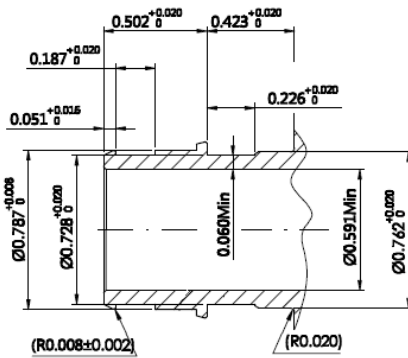
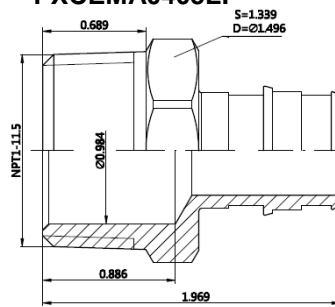
# Lead Free Cold Expansion PEX Fittings Specification Sheet

## LEAD FREE F1960 PEX x IP MALE ADAPTER

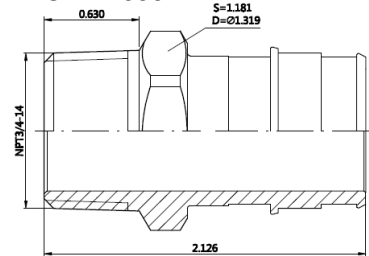
PXCEMA0404LF



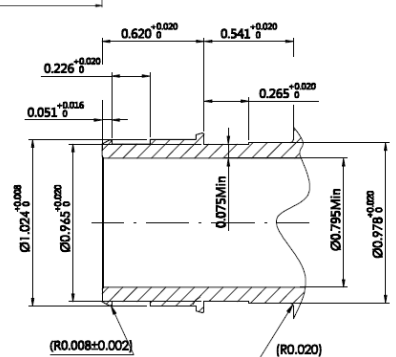
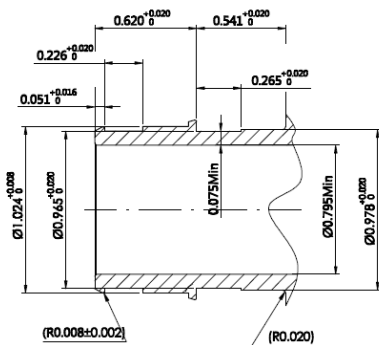
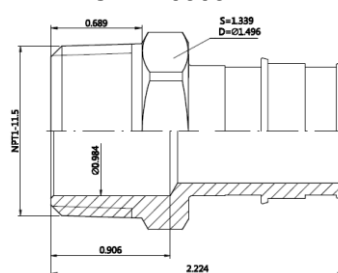
PXCEMA0405LF



PXCEMA0504LF



PXCEMA0505LF





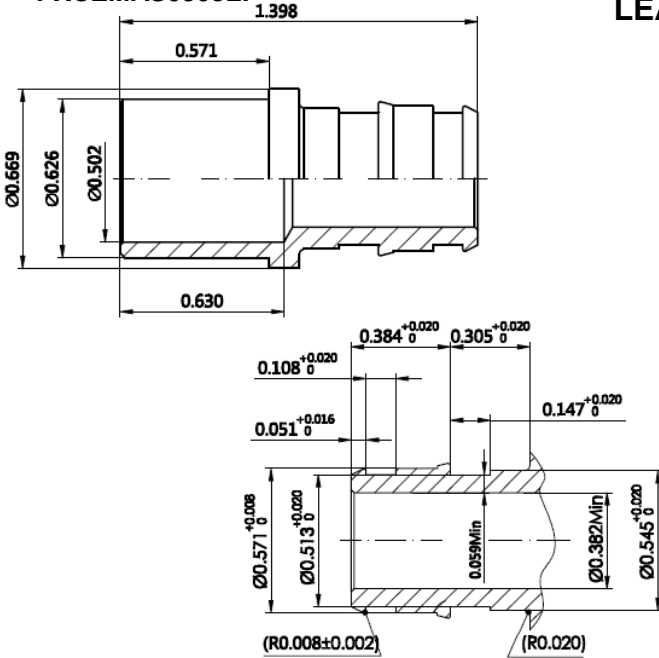
# Lead Free Cold Expansion PEX Fittings

## Specification Sheet

### LEAD FREE MALE SWEAT x F1960 PEX ADAPTER



PXCEMAS0303LF



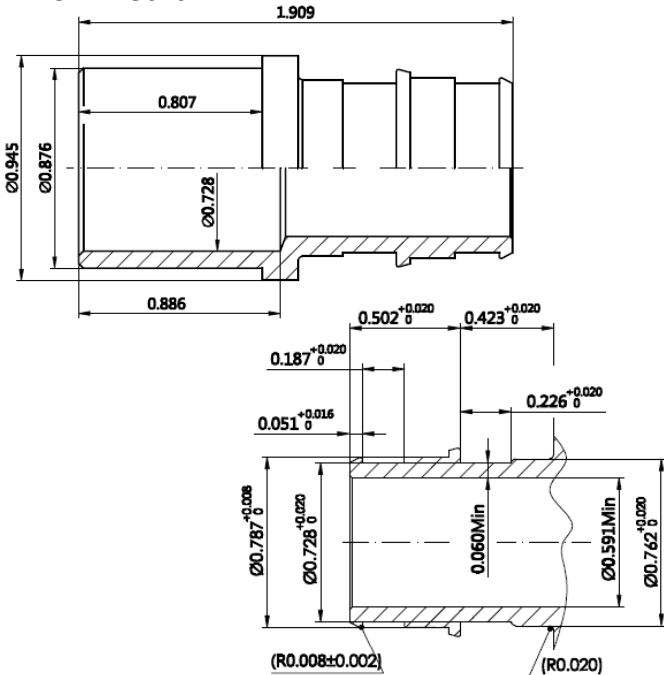
**Features:**

- Lead Free Compliant
- Max. Working Temp./Pressure:  
180° F @ 100 PSI
- For use in Hot and Cold Potable Water Distribution Systems
- Manufactured and tested in accordance with ASTM F1960 and F877
- Compliant with CSA B137.5

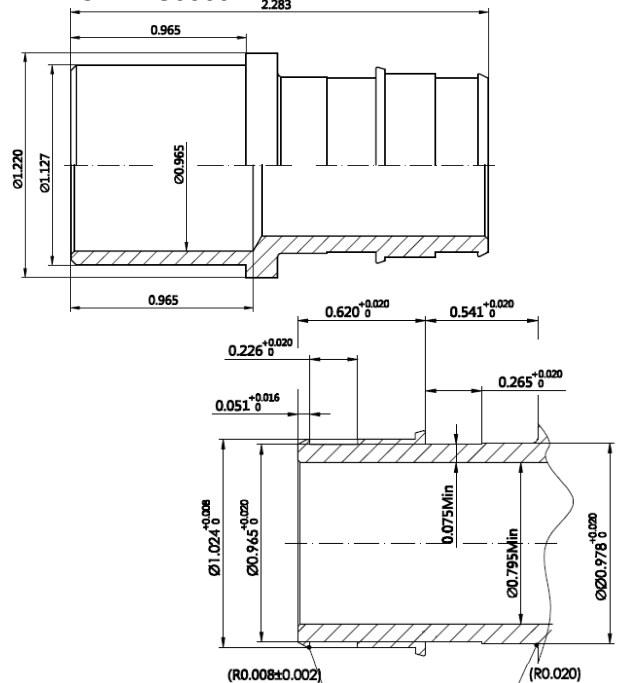
**Approvals / Standards:**

- ASTM F1960
- CSA B137.5
- NSF/ANSI 14, NSF/ANSI 61, NSF/ANSI 372
- cNSFus
- cUPC

PXCEMAS0404LF



PXCEMAS0505LF



# Lead Free Cold Expansion PEX Fittings Specification Sheet

## LEAD FREE F1960 PEX PLUG BARB END



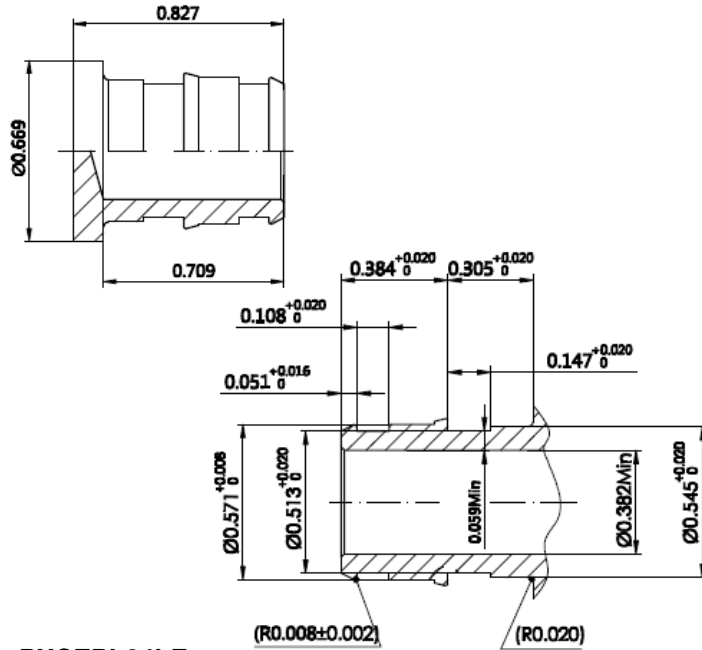
### Features:

- Lead Free Compliant
- Max. Working Temp./Pressure:  
180° F @ 100 PSI
- For use in Hot and Cold Potable Water  
Distribution Systems
- Manufactured and tested in accordance  
with ASTM F1960 and F877
- Compliant with CSA B137.5

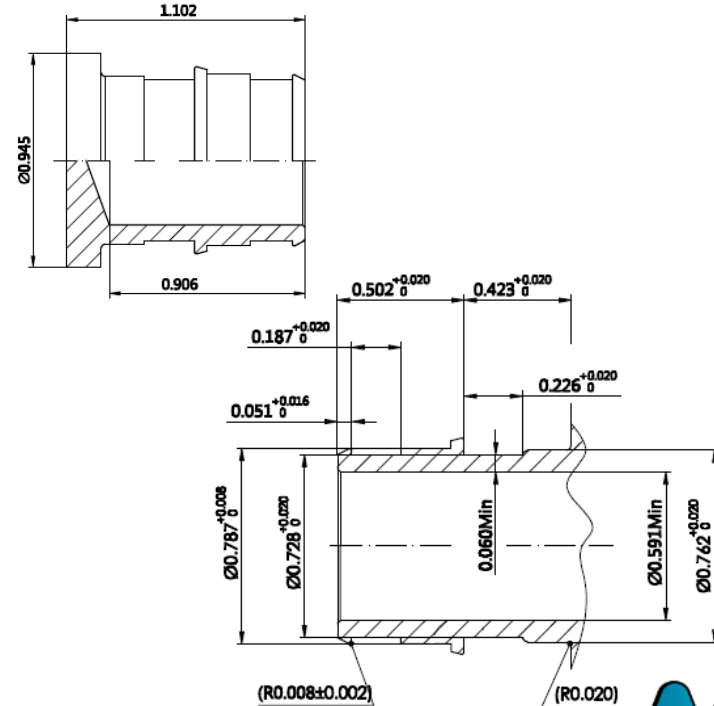
### Approvals / Standards:

- ASTM F1960
- CSA B137.5
- NSF/ANSI 14, NSF/ANSI 61,  
NSF/ANSI 372
- cNSFus
- cUPC

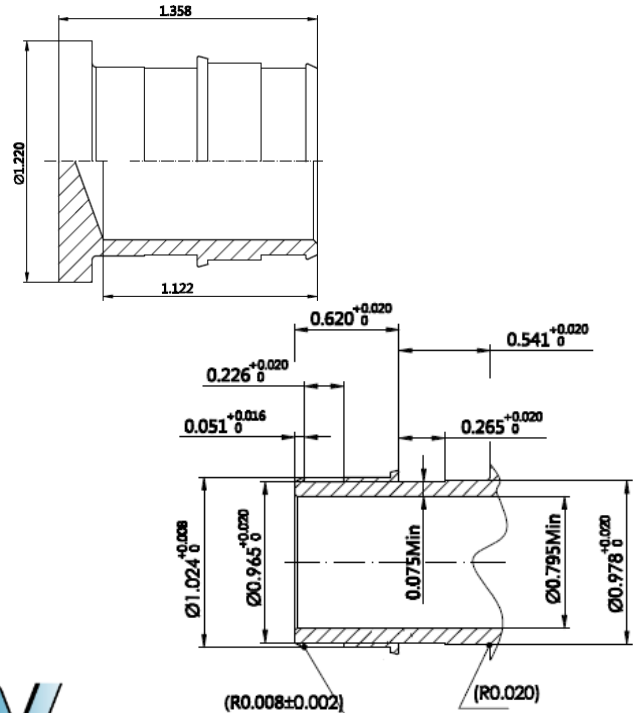
### PXCEPL03LF



### PXCEPL04LF



### PXCEPL05LF

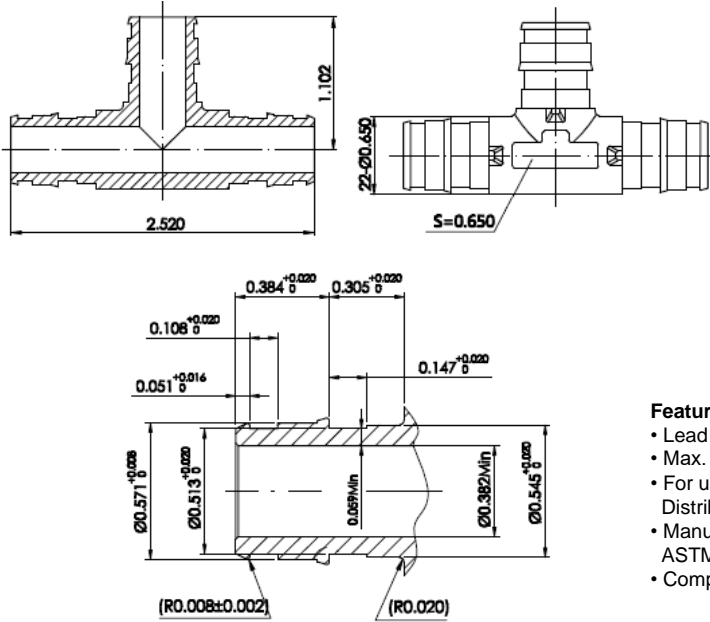


# Lead Free Cold Expansion PEX Fittings

## Specification Sheet

### LEAD FREE F1960 PEX TEE

PXCET03LF



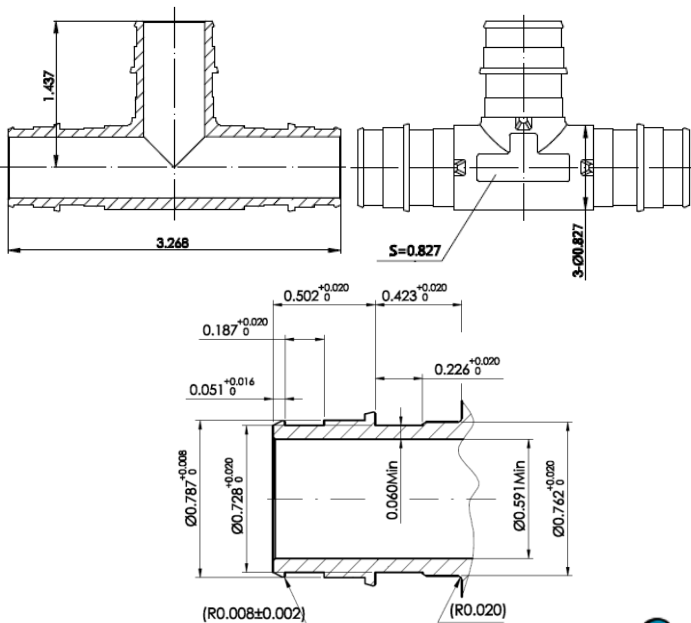
**Features:**

- Lead Free Compliant
- Max. Working Temp./Pressure: 180° F @ 100 PSI
- For use in Hot and Cold Potable Water Distribution Systems
- Manufactured and tested in accordance with ASTM F1960 and F877
- Compliant with CSA B137.5

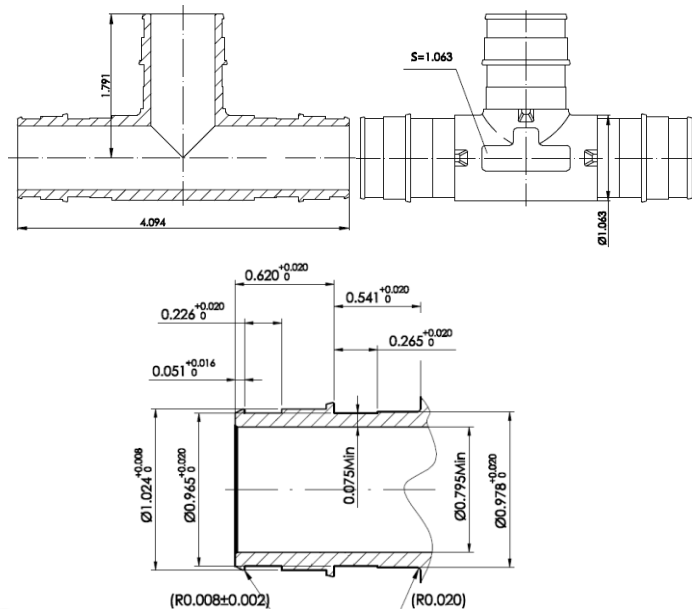
**Approvals / Standards:**

- ASTM F1960
- CSA B137.5
- NSF/ANSI 14, NSF/ANSI 61, NSF/ANSI 372
- cNSFus
- cUPC

PXCET04LF



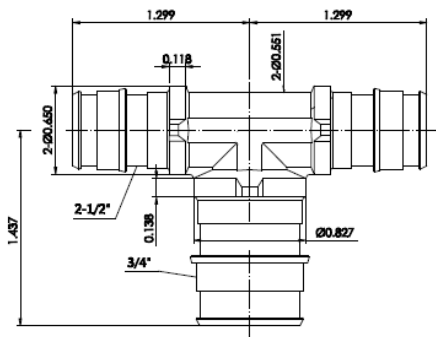
PXCET05LF



# Lead Free Cold Expansion PEX Fittings

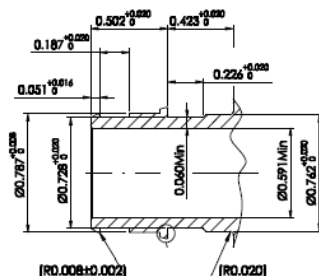
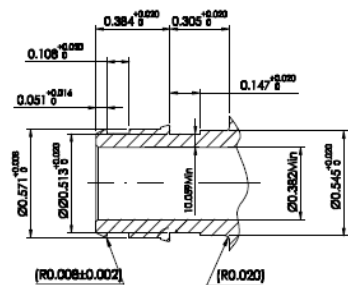
## Specification Sheet

PXCERT030304LF



1/2" PEX

3/4" PEX



### LEAD FREE F1960 PEX REDUCING TEE



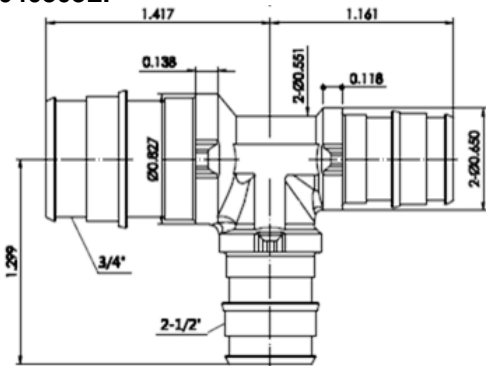
**Features:**

- Lead Free Compliant
- Max. Working Temp./Pressure:  
180° F @ 100 PSI
- For use in Hot and Cold Potable Water Distribution Systems
- Manufactured and tested in accordance with ASTM F1960 and F877
- Compliant with CSA B137.5

**Approvals / Standards:**

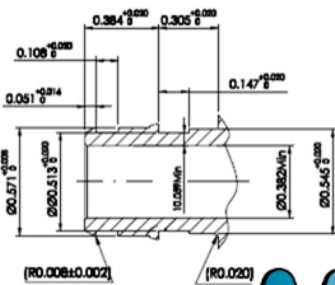
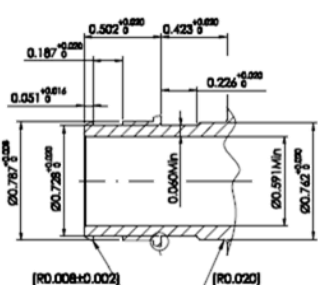
- ASTM F1960
- CSA B137.5
- NSF/ANSI 14, NSF/ANSI 61, NSF/ANSI 372
- cNSFus
- cUPC

PXCERT040303LF

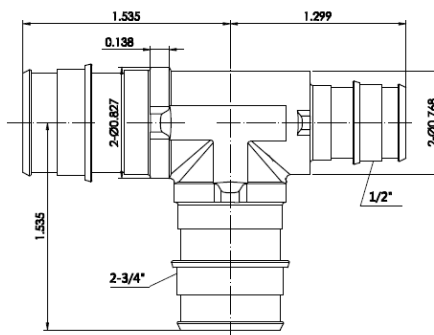


3/4" Pex

1/2" Pex

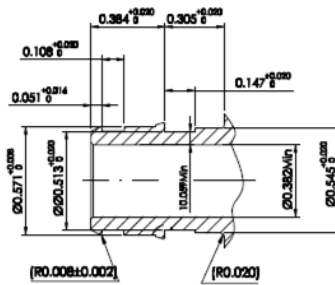
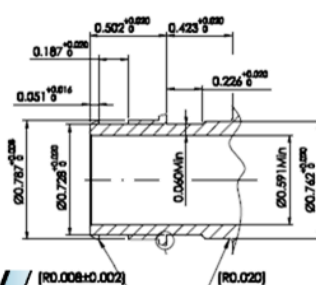


PXCERT040304LF



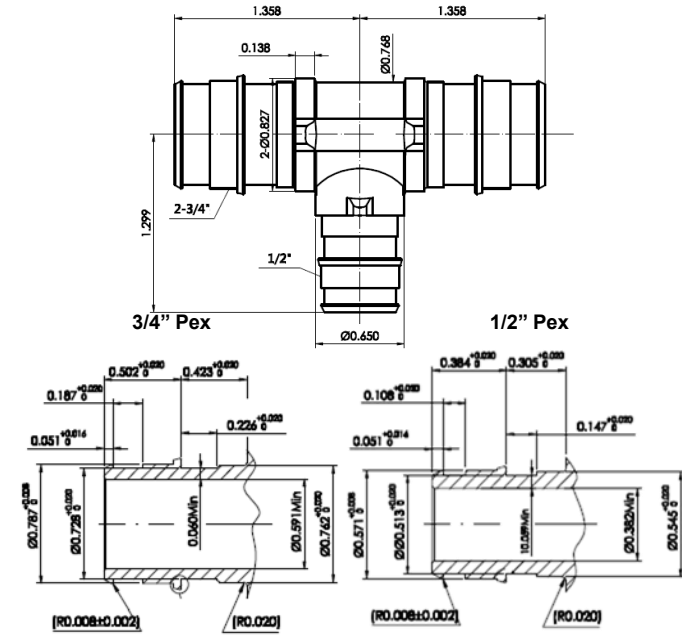
3/4" Pex

1/2" Pex



# Lead Free Cold Expansion PEX Fittings Specification Sheet

## PXCERT040403LF



## LEAD FREE F1960 PEX REDUCING TEE



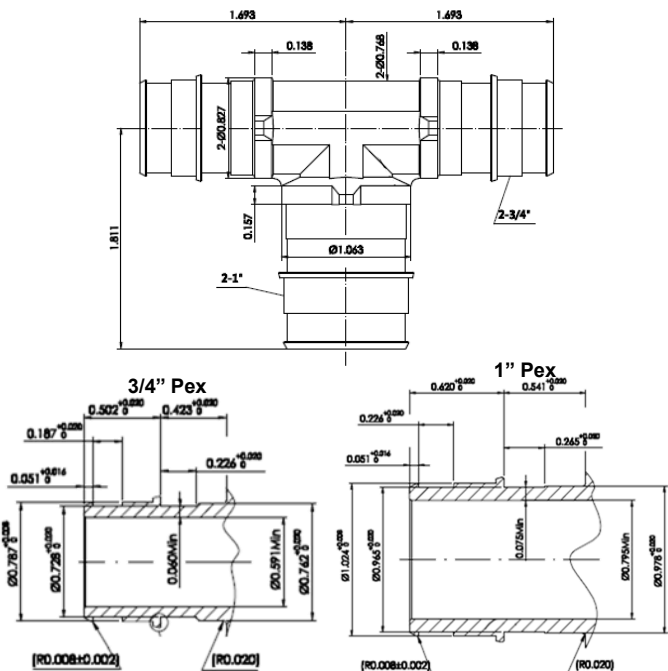
### Features:

- Lead Free Compliant
- Max. Working Temp./Pressure:  
180° F @ 100 PSI
- For use in Hot and Cold Potable Water  
Distribution Systems
- Manufactured and tested in accordance  
with ASTM F1960 and F877
- Compliant with CSA B137.5

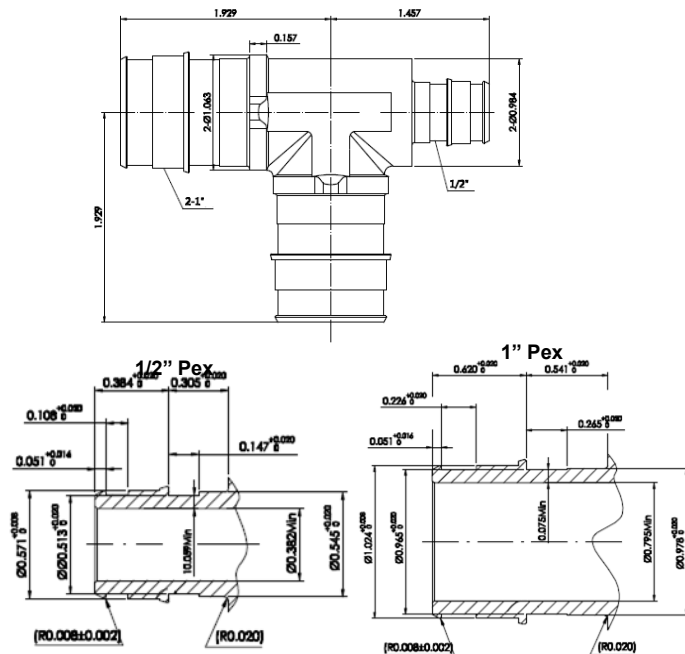
### Approvals / Standards:

- ASTM F1960
- CSA B137.5
- NSF/ANSI 14, NSF/ANSI 61,  
NSF/ANSI 372
- cNSFus
- cUPC

## PXCERT040405LF



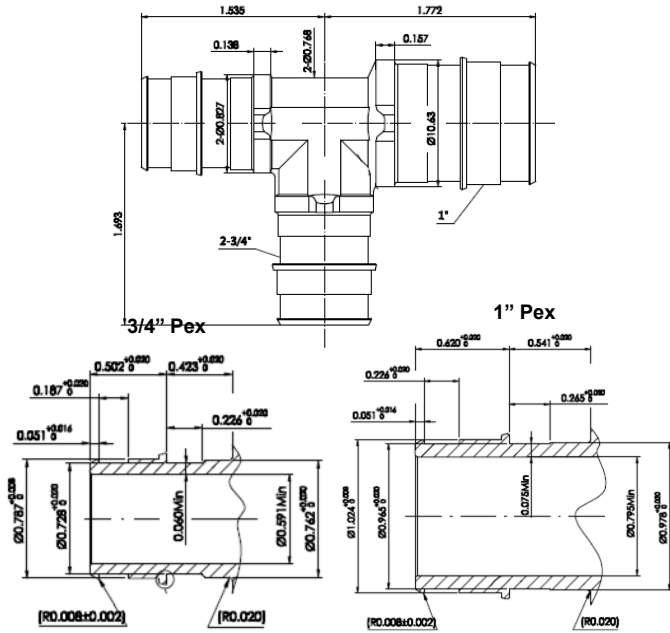
## PXCERT050305LF



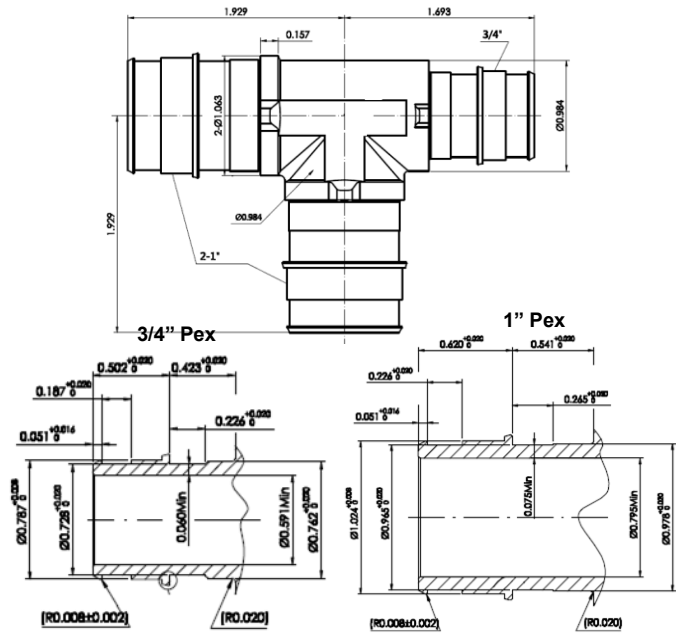
# Lead Free Cold Expansion PEX Fittings Specification Sheet

## LEAD FREE F1960 PEX REDUCING TEE

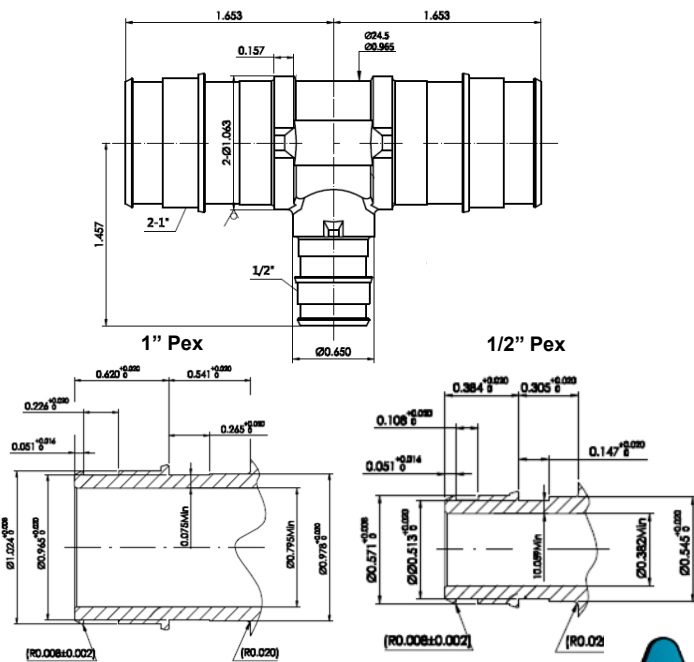
PXCERT050404LF



PXCERT050405LF



PXCERT050503LF



PXCERT050504LF

