

□ **PD-151C**   □ **PD-151SS**



# Single Handle Pulldown Kitchen Faucet

# Product Spec Sheet



## FEATURES & BENEFITS

- This Product Contains Less Than 0.25% Weighted Average Lead Content On Wetted Surfaces
- Ceramic Cartridge
- Metal Lever Handle
- Optional Deck Plate Included
- Max Flow Rate 1.75 gpm (6.6 L/min) at 60 psi

PD-151C  
Chrome Finish

PD-151SS  
Stainless Steel Finish

### APPROVALS:

Meets or Exceeds The Following:

- \* NSF/ANSI 61 - Sec. 9
- \* NSF/ANSI 372
- \* IAPMO/cUPC
- \* CA AB1953



NSF/ANSI 372  
NSF/ANSI 61-9



**CALIFORNIA:**  
**TEXAS:**  
**NEW YORK:**  
**ILLINOIS:**

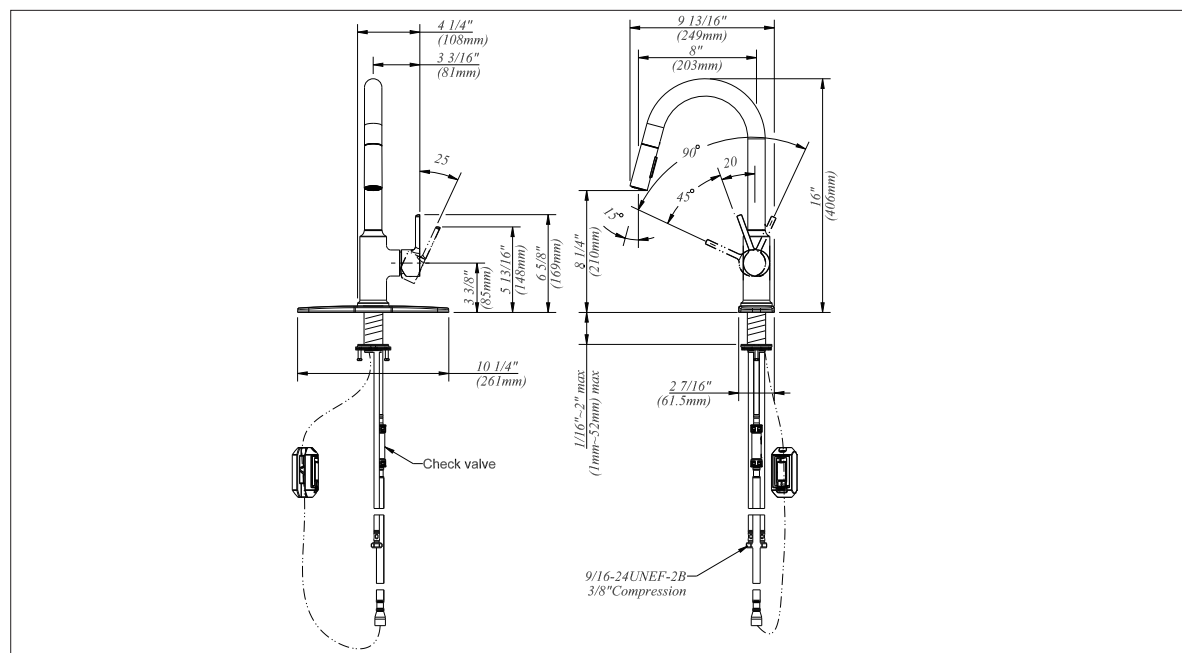
**TEL:** 866-532-8306  
**TEL:** 800-935-5456  
**TEL:** 800-431-2082  
**TEL:** 844-412-5068

**FAX:** 866-532-8307  
**FAX:** 800-683-4247  
**FAX:** 800-640-2252  
**FAX:** 800-640-2252

Visit Our Web Site : [www.matco-norca.com](http://www.matco-norca.com)

# Single Handle Pulldown Kitchen Faucet

| No. | Name                   | Part No.    |
|-----|------------------------|-------------|
| 1   | Screw & Plug           | A66D558     |
| 2   | Metal Handle           | A079086     |
| 3   | Handle Trim Cap        | A103121     |
| 4   | Adjusting Ring         | A104332     |
| 5   | Ceramic Disc Cartridge | A507906N-31 |
| 6   | Cover Plate Assembly   | A667003-S   |
| 7   | Hose Adapter           | A663123N    |
| 8   | Pull-Down Spray Head   | A568009N    |
| 9   | Spray Hose             | A515111W    |
| 10  | Weight                 | A504103ZN   |
| 11  | Mounting Hardware      | A60317      |



**Product Spec Sheet**

**CALIFORNIA:**  
**TEXAS:**  
**NEW YORK:**  
**ILLINOIS:**

**TEL: 866-532-8306**  
**TEL: 800-935-5456**  
**TEL: 800-431-2082**  
**TEL: 844-412-5068**

**FAX: 866-532-8307**  
**FAX: 800-683-4247**  
**FAX: 800-640-2252**  
**FAX: 800-640-2252**

Visit Our Web Site : [www.matco-norca.com](http://www.matco-norca.com)