

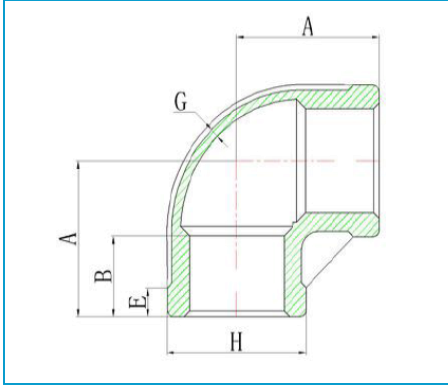
Stainless Steel Fittings • Spec Sheet



- Stainless Steel 304 & 316 Available
- Casting Conforms to ASTM A351
- NPT Threads Conform to ASME B1.20.1
- Manufacturing Facility is ISO 9001:2008 Certified
- Fittings Meet Applicable Chemical & Physical Properties
- RoHS & MSS SP-114 Compliant

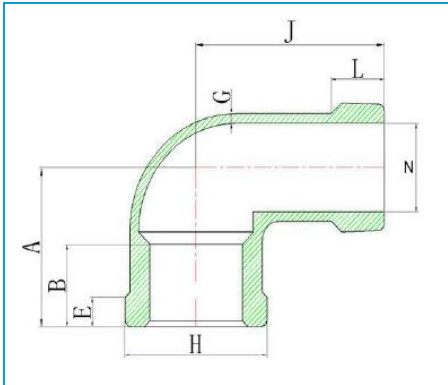
Stainless Steel Fittings • Spec Sheet

Stainless Steel Elbow 90



Size	1/8	1/4	3/8	1/2	3/4	1
A	0.82	0.86	0.94	1.13	1.31	1.50
B	0.33	0.38	0.41	0.45	0.55	0.65
E	0.21	0.22	0.22	0.26	0.28	0.32
G	0.10	0.10	0.11	0.11	0.13	0.14
H	0.76	0.85	1.02	1.21	1.47	1.78
Size	1-1/4	1-1/2	2	2-1/2	3	4
A	1.77	1.95	2.28	2.71	3.10	3.85
B	0.71	0.73	0.77	0.95	0.99	1.12
E	0.35	0.39	0.43	0.50	0.58	0.69
G	0.15	0.16	0.18	0.23	0.25	0.28
H	2.17	2.45	2.98	3.41	4.03	5.14

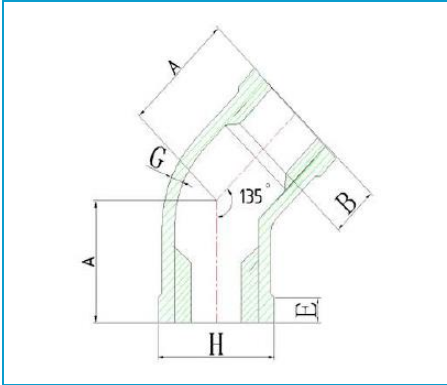
Stainless Steel Street Elbow 90



Size	1/8	1/4	3/8	1/2	3/4	1
A	0.82	0.85	1.18	1.23	1.39	1.51
B	0.33	0.38	0.41	0.45	0.55	0.65
E	0.21	0.22	0.22	0.26	0.28	0.32
G	0.10	0.10	0.11	0.11	0.13	0.14
H	0.76	0.85	1.02	1.21	1.47	1.78
J	1.07	1.19	1.43	1.67	1.98	2.14
L	0.28	0.43	0.47	0.53	0.62	0.70
N	0.18	0.25	0.36	0.50	0.71	0.90
Size	1-1/4	1-1/2	2	2-1/2	3	4
A	1.77	1.95	2.28	2.58	2.99	3.81
B	0.71	0.73	0.77	0.95	0.99	1.12
E	0.35	0.39	0.43	0.50	0.58	0.69
G	0.15	0.16	0.18	0.23	0.25	0.28
H	2.17	2.45	2.98	3.41	4.03	5.14
J	2.52	2.77	3.28	3.87	4.54	5.70
L	0.75	0.77	0.81	1.16	1.24	1.55
N	1.17	1.38	1.77	2.19	2.74	3.67

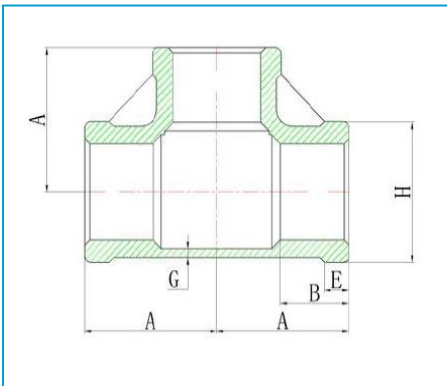
Stainless Steel Fittings • Spec Sheet

Stainless Steel Elbow 45



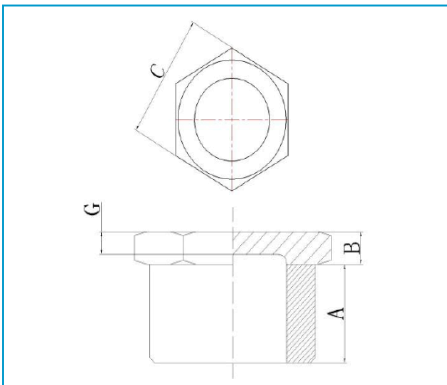
Size	1/8	1/4	3/8	1/2	3/4	1
A	0.70	0.71	0.82	0.89	1.02	1.14
B	0.33	0.38	0.41	0.45	0.55	0.65
E	0.21	0.22	0.22	0.26	0.28	0.32
G	0.10	0.10	0.11	0.11	0.13	0.14
H	0.76	0.85	1.02	1.21	1.47	1.78
Size	1-1/4	1-1/2	2	2-1/2	3	4
A	1.32	1.45	1.69	1.95	2.21	2.66
B	0.71	0.73	0.77	0.95	0.99	1.12
E	0.35	0.39	0.43	0.50	0.58	0.69
G	0.15	0.16	0.18	0.23	0.25	0.28
H	2.17	2.45	2.98	3.41	4.03	5.14

Stainless Steel Tee



Size	1/8	1/4	3/8	1/2	3/4	1
A	0.82	0.86	0.94	1.13	1.31	1.50
B	0.33	0.38	0.41	0.45	0.55	0.65
E	0.21	0.22	0.22	0.26	0.28	0.32
G	0.10	0.10	0.11	0.11	0.13	0.14
H	0.76	0.85	1.02	1.21	1.47	1.78
Size	1-1/4	1-1/2	2	2-1/2	3	4
A	1.77	1.95	2.28	2.71	3.10	3.85
B	0.71	0.73	0.77	0.95	0.99	1.12
E	0.35	0.39	0.43	0.50	0.58	0.69
G	0.15	0.16	0.18	0.23	0.25	0.28
H	2.17	2.45	2.98	3.41	4.03	5.14

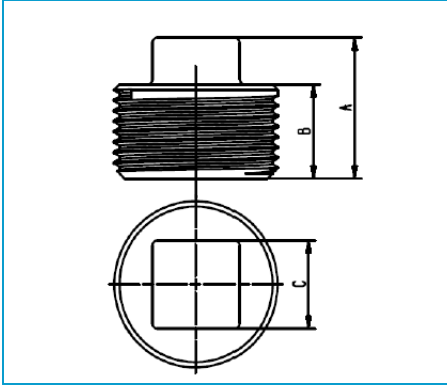
Stainless Steel Hex Head Plug



Size	1/8	1/4	3/8	1/2	3/4	1
A	0.38	0.45	0.50	0.58	0.65	0.77
B	0.12	0.15	0.20	0.22	0.26	0.29
E	0.47	0.61	0.70	0.91	1.21	1.43
G	0.10	0.10	0.11	0.11	0.13	0.14
Size	1-1/4	1-1/2	2	2-1/2	3	4
A	0.81	0.84	0.89	1.11	1.15	1.27
B	0.30	0.33	0.36	0.40	0.43	0.54
E	1.75	1.99	2.48	2.96	3.83	4.59
G	0.15	0.16	0.18	0.23	0.25	0.28

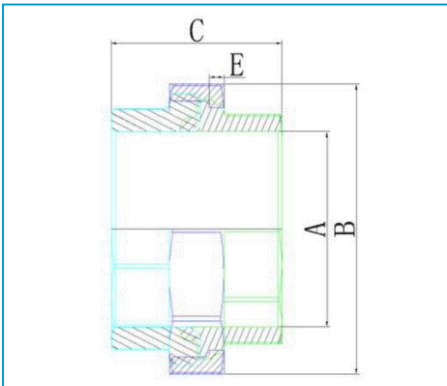
Stainless Steel Fittings • Spec Sheet

Stainless Steel Square Head Plug



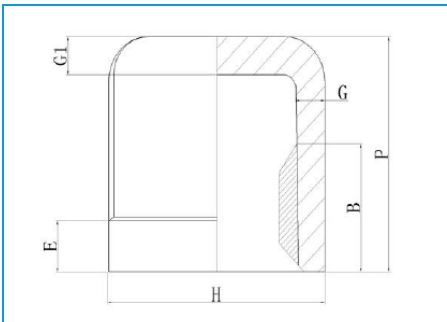
Size	1/8	1/4	3/8	1/2	3/4	1
A	0.63	0.70	0.81	0.97	1.08	1.25
B	0.38	0.42	0.49	0.58	0.64	0.76
C	0.28	0.37	0.43	0.56	0.61	0.82
Size	1-1/4	1-1/2	2	2-1/2	3	4
A	1.36	1.46	1.56	1.81	1.93	2.24
B	0.81	0.84	0.89	1.07	1.13	1.25
C	0.93	1.11	1.30	1.50	1.67	2.21

Stainless Steel Union



Size	1/8	1/4	3/8	1/2	3/4	1
A	0.22	0.41	0.54	0.67	0.85	1.09
B	1.09	1.30	1.40	1.87	1.84	2.15
C	1.28	1.47	1.63	1.77	1.99	2.13
E	0.10	0.10	0.11	0.11	0.13	0.14
Size	1-1/4	1-1/2	2	2-1/2	3	4
A	1.43	1.65	2.16	2.55	3.15	4.14
B	2.70	2.87	3.62	4.32	5.04	6.15
C	2.32	2.45	2.84	3.29	3.57	3.94
E	0.15	0.16	0.18	0.23	0.25	0.28

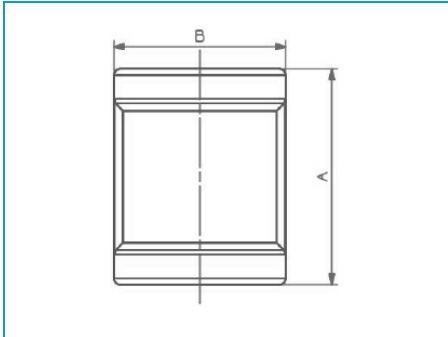
Stainless Steel Caps



Size	1/8	1/4	3/8	1/2	3/4	1
B	0.33	0.38	0.41	0.45	0.55	0.65
E	0.21	0.22	0.22	0.26	0.28	0.32
G	0.10	0.10	0.11	0.11	0.13	0.14
H	0.76	0.85	1.02	1.21	1.47	1.78
P	0.69	0.69	0.82	0.94	1.07	1.32
G1	0.10	0.11	0.11	0.13	0.16	0.17
Size	1-1/4	1-1/2	2	2-1/2	3	4
B	0.71	0.73	0.77	0.95	0.99	1.12
E	0.35	0.39	0.43	0.50	0.58	0.69
G	0.15	0.16	0.18	0.23	0.25	0.28
H	2.17	2.45	2.98	3.41	4.03	5.14
P	1.63	1.71	1.76	2.02	2.27	2.13
G1	0.18	0.20	0.23	0.26	0.30	0.37

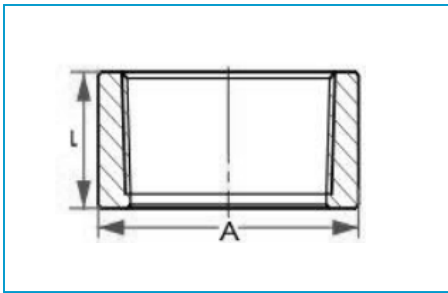
Stainless Steel Fittings • Spec Sheet

Stainless Steel Coupling



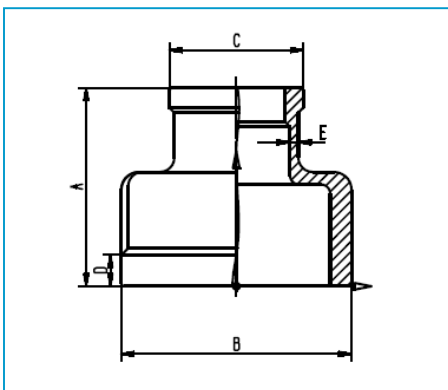
Size	1/8	1/4	3/8	1/2	3/4	1
A	1.00	1.04	1.12	1.38	1.50	1.62
B	0.75	0.84	1.01	1.20	1.46	1.77
Size	1-1/4	1-1/2	2	2-1/2	3	4
A	2.00	2.12	2.50	2.87	3.18	3.68
B	2.15	2.43	2.96	3.31	4.00	5.06

Stainless Steel Half Coupling



Size	1/8	1/4	3/8	1/2	3/4	1
A	0.75	0.84	1.01	1.20	1.46	1.77
B	0.50	0.51	0.56	0.69	0.75	0.81
Size	1-1/4	1-1/2	2	2-1/2	3	4
A	2.16	2.43	2.96	3.31	4.00	5.07
B	1.00	1.06	1.25	1.44	1.59	1.84

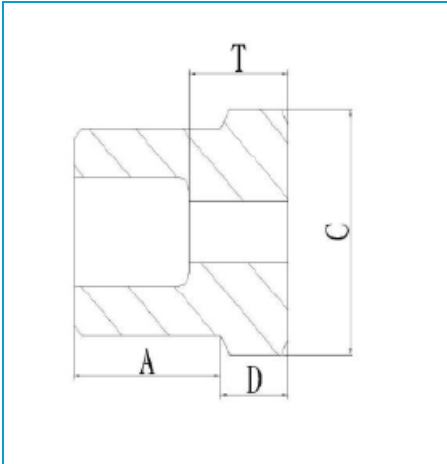
Stainless Steel Reducing Coupling



Size	1/4x1/8	3/8x1/4	1/2x1/4	1/2x3/8	3/4x1/4	3/4x3/8	3/4x1/2	1x1/4	1x3/8	1x1/2	1x3/4
A	1.03	1.14	1.42	1.42	1.54	1.54	1.54	1.66	1.66	1.66	1.66
B	0.85	1.02	1.22	1.22	1.48	1.48	1.48	1.79	1.79	1.79	1.79
C	0.76	0.85	0.85	1.02	0.85	1.02	1.22	0.85	1.02	1.22	1.48
D	0.21	0.22	0.26	0.26	0.29	0.29	0.29	0.32	0.32	0.32	0.32
E	0.10	0.11	0.11	0.11	0.13	0.13	0.13	0.14	0.14	0.14	0.14
Size	1-1/4x1/2	1-1/4x3/4	1-1/4x1	1-1/2x1/2	1-1/2x3/4	1-1/2x1	1-1/2x1-1/4	2x1/2	2x3/4		
A	2.03	2.03	2.03	2.03	2.03	2.03	2.52	2.52	2.52		
B	2.18	2.18	2.18	2.45	2.45	2.45	2.45	2.99	2.99		
C	1.22	1.48	1.79	1.22	1.48	1.79	2.18	1.22	1.48		
D	0.35	0.35	0.35	0.39	0.39	0.39	0.39	0.43	0.43		
E	0.15	0.15	0.15	0.16	0.16	0.16	0.16	0.18	0.18		
Size	2x1	2x1-1/4	2x1-1/2	2-1/2x1-1/2	2-1/2x2	3x1	3x1-1/2	3x2	4x2	4x3	
A	2.52	2.52	2.52	3.27	3.27	3.72	3.72	3.72	4.39	4.39	
B	2.99	2.99	2.99	3.39	3.39	4.06	4.06	4.06	5.11	5.11	
C	1.79	2.18	2.45	2.45	2.99	1.79	2.45	2.99	2.99	4.06	
D	0.43	0.43	0.43	0.50	0.50	0.58	0.58	0.58	0.69	0.69	
E	0.18	0.18	0.18	0.23	0.23	0.25	0.25	0.25	0.28	0.28	

Stainless Steel Fittings • Spec Sheet

Stainless Steel Bushing



Size	1/4x1/8	3/8x1/4	1/2x1/4	1/2x3/8	3/4x1/4	3/4x3/8	3/4x1/2	1x1/4	1x3/8	1x1/2	1x3/4
A	0.45	0.52	0.58	0.58	0.63	0.63	0.63	0.76	0.76	0.76	0.76
T	0.27	0.41	0.41	0.43	0.41	0.43	0.55	0.41	0.43	0.55	0.57
D	0.16	0.18	0.21	0.21	0.24	0.24	0.24	0.28	0.28	0.28	0.28
C	0.61	0.69	0.87	0.87	1.07	1.07	1.07	1.38	1.38	1.38	1.38
Size	1-1/4x1/2	1-1/4x3/4	1-1/4x1	1-1/2x1/2	1-1/2x3/4	1-1/2x1	1-1/2x1-1/4	2x1/2	2x3/4		
A	0.83	0.83	0.83	0.83	0.83	0.83	0.83	0.89	0.89		
T	0.55	0.57	0.70	0.55	0.57	0.70	0.74	0.55	0.57		
D	0.30	0.30	0.30	0.33	0.33	0.33	0.33	0.35	0.35		
C	1.74	1.74	1.74	1.99	1.99	1.99	1.99	2.43	2.43		
Size	2x1	2x1-1/4	2x1-1/2	2-1/2x1	2-1/2x1-1/4	2-1/2x1-1/2	2-1/2x2	3x1	3x1-1/4		
A	0.89	0.89	0.89	1.09	1.09	1.09	1.09	1.15	1.15		
T	0.70	0.74	0.75	0.70	0.74	0.75	0.79	0.70	0.74		
D	0.35	0.35	0.35	0.41	0.41	0.41	0.41	0.45	0.45		
C	2.43	2.43	2.43	2.99	2.99	2.99	2.99	3.55	3.55		
Size	3x1-1/2	3x2	3x2-1/2	4x1-1/2	4x2	4x3					
A	1.15	1.15	1.15	1.29	1.29	1.29					
T	0.75	0.79	0.94	0.75	0.79	1.24					
D	0.45	0.45	0.45	0.64	0.64	0.64					
C	3.55	3.55	3.55	4.64	4.64	4.64					



CALIFORNIA 5595 Fresca Dr., La Palma CA 90623 • Phone: 866-532-8306 • Fax: 866-532-8307
TEXAS 1150 Silber Rd., Houston TX 77055 • Phone: 800-935-5456 • Fax: 713-680-2999
ILLINOIS 278 Windy Point Dr., Glendale Heights, IL 60139 • Phone: 844-412-5068 • Fax: 800-640-2252
GEORGIA 113 Industrial Blvd., Americus, Georgia 31709 • Phone: 800-433-7526 • Fax: 800-533-5134
NEW YORK PO Box 27, Rt.22, Brewster NY 10509 • Phone: 800-431-2082 • Fax: 845-278-9056
 WEB: www.matco-norca.com EMAIL: mail@matco-norca.com