

SSDW LF Braided Dishwasher Connector • Spec Sheet



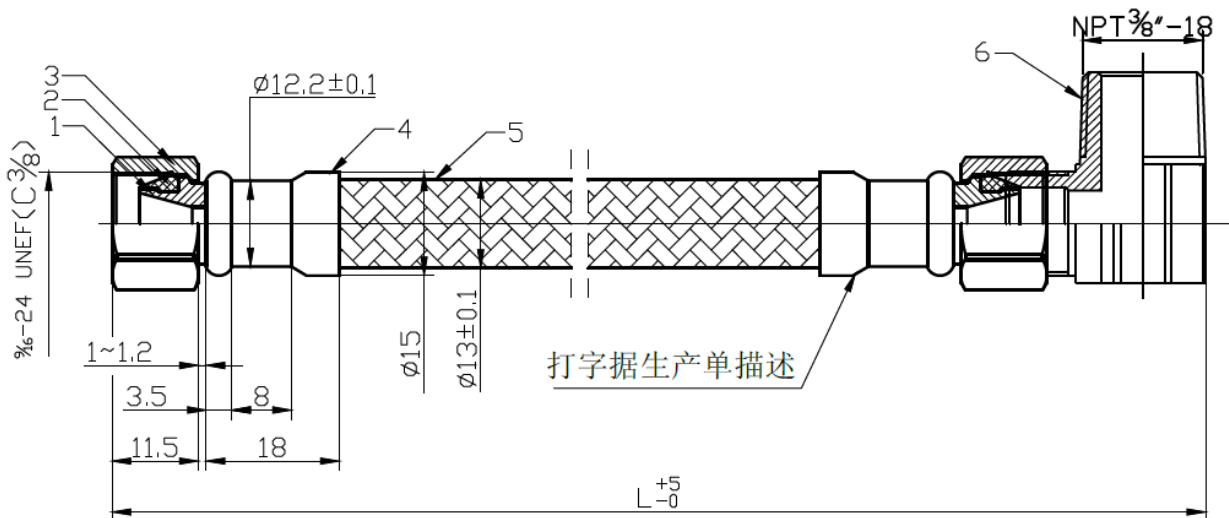
FEATURES & BENEFITS

- Lead Free*
- 3/8" OD Compression
- With 90° Brass Elbow
- cUPC Certified
- NSF Approved

SSDW-36LF - 36" Long
SSDW-48LF - 48" Long
SSDW-60LF - 60" Long
SSDW-72LF - 72" Long

MATERIAL SPECIFICATIONS

No.	Part	Material
1	Core	Brass C46500
2	Washer	EPDM
3	Nut	Brass HPb59-3
4	Ferrule	Stainless Steel 304
5	Hose	Stainless Steel 304
6	Core	Brass C46500



*This product complies with 0.25% weighted average lead content on wetted surfaces in accordance with the Safe Drinking Water Act (SDWA) / Federal Public Law No. 111-380.



Global sourcing. National compliance. Local service.

CALIFORNIA 5595 Fresca Dr., La Palma CA 90623
TEXAS 1150 Silber Rd., Houston TX 77055
ILLINOIS 278 Windy Point Dr., Glendale Heights, IL 60139
GEORGIA 113 Industrial Blvd., Americus, Georgia 31709
NEW YORK PO Box 27, Rt.22, Brewster NY 10509
 WEB: www.matco-norca.com

• Phone: 866-532-8306 • Fax: 866-532-8307
 • Phone: 800-935-5456 • Fax: 713-680-2999
 • Phone: 844-412-5068 • Fax: 800-640-2252
 • Phone: 800-433-7526 • Fax: 800-533-5134
 • Phone: 800-431-2082 • Fax: 845-278-9056
 EMAIL: mail@matco-norca.com

SSDWL LF Braided Dishwasher Connector • Spec Sheet



FEATURES & BENEFITS

- Lead Free*
- With Garden Hose Elbow
- 3/8" OD Compression
- With 90° Brass Elbow
- cUPC Certified
- NSF Approved

SSDWL-36LF - 36" Long

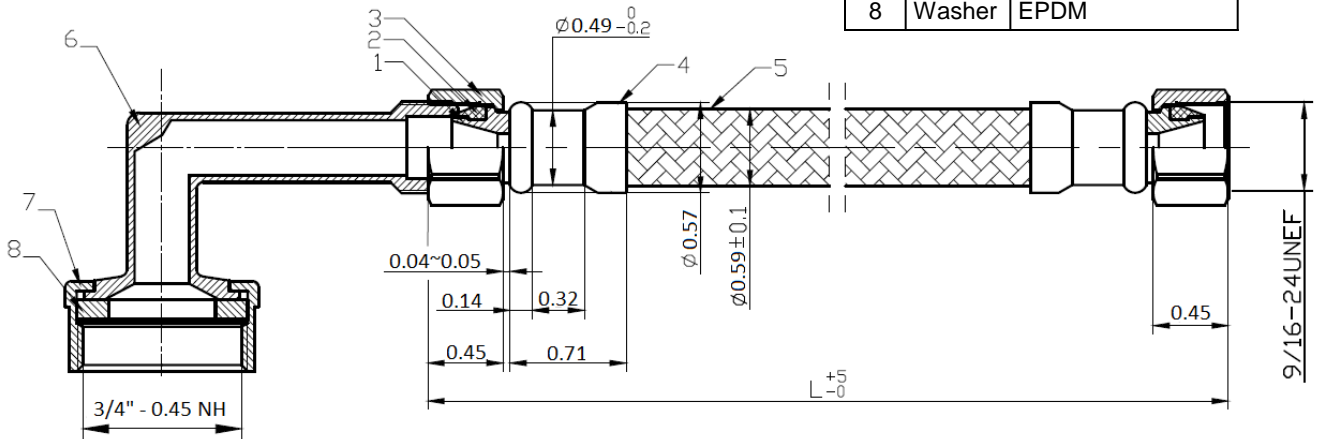
SSDWL-48LF - 48" Long

SSDWL-60LF - 60" Long

SSDWL-72LF - 72" Long

MATERIAL SPECIFICATIONS

No.	Part	Material
1	Core	Brass C46500
2	Washer	EPDM
3	Nut	Brass HPb59-3
4	Ferrule	Stainless Steel 304
5	Hose	Stainless Steel 304
6	Core	Brass C46500
7	Nut	Brass HPb59-3
8	Washer	EPDM



*This product complies with 0.25% weighted average lead content on wetted surfaces in accordance with the Safe Drinking Water Act (SDWA) / Federal Public Law No. 111-380.



Global sourcing. National compliance. Local service.

CALIFORNIA 5595 Fresca Dr., La Palma CA 90623
TEXAS 1150 Silber Rd., Houston TX 77055
ILLINOIS 278 Windy Point Dr., Glendale Heights, IL 60139
GEORGIA 113 Industrial Blvd., Americus, Georgia 31709
NEW YORK PO Box 27, Rt.22, Brewster NY 10509
 WEB: www.matco-norca.com

• Phone: 866-532-8306 • Fax: 866-532-8307
 • Phone: 800-935-5456 • Fax: 713-680-2999
 • Phone: 844-412-5068 • Fax: 800-640-2252
 • Phone: 800-433-7526 • Fax: 800-533-5134
 • Phone: 800-431-2082 • Fax: 845-278-9056
 EMAIL: mail@matco-norca.com