

# VFC LF Vinyl Reinforced Supply Connector • Spec Sheet



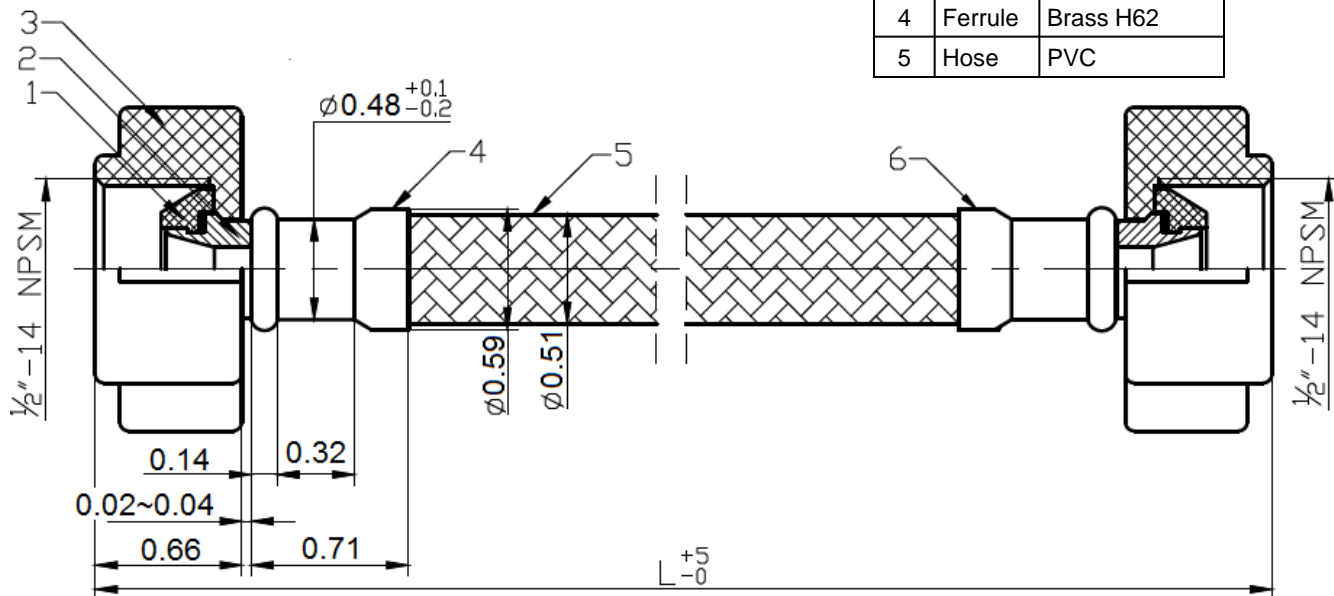
## FEATURES & BENEFITS

- Lead Free
- 1/2" IPS x 1/2" IPS
- With Celcon Nut
- cUPC Certified
- NSF Approved

VFC-0312LF - 12" Long    VFC-0336LF - 36" Long  
 VFC-0316LF - 16" Long    VFC-0348LF - 48" Long  
 VFC-0320LF - 20" Long    VFC-0360LF - 60" Long  
 VFC-0324LF - 24" Long

## MATERIAL SPECIFICATIONS

No.	Part	Material
1	Washer	EPDM
2	Core	Brass C46500
3	Nut	Brass HPb59-3
4	Ferrule	Brass H62
5	Hose	PVC



\*This product complies with 0.25% weighted average lead content on wetted surfaces in accordance with the Safe Drinking Water Act (SDWA) / Federal Public Law No. 111-380.



Global sourcing. National compliance. Local service.

**CALIFORNIA** 5595 Fresca Dr., La Palma CA 90623  
**TEXAS** 1150 Silber Rd., Houston TX 77055  
**ILLINOIS** 278 Windy Point Dr., Glendale Heights, IL 60139  
**GEORGIA** 113 Industrial Blvd., Americus, Georgia 31709  
**NEW YORK** PO Box 27, Rt.22, Brewster NY 10509  
 WEB: [www.matco-norca.com](http://www.matco-norca.com)

• Phone: 866-532-8306 • Fax: 866-532-8307  
 • Phone: 800-935-5456 • Fax: 713-680-2999  
 • Phone: 844-412-5068 • Fax: 800-640-2252  
 • Phone: 800-433-7526 • Fax: 800-533-5134  
 • Phone: 800-431-2082 • Fax: 845-278-9056  
 EMAIL: [mail@matco-norca.com](mailto:mail@matco-norca.com)